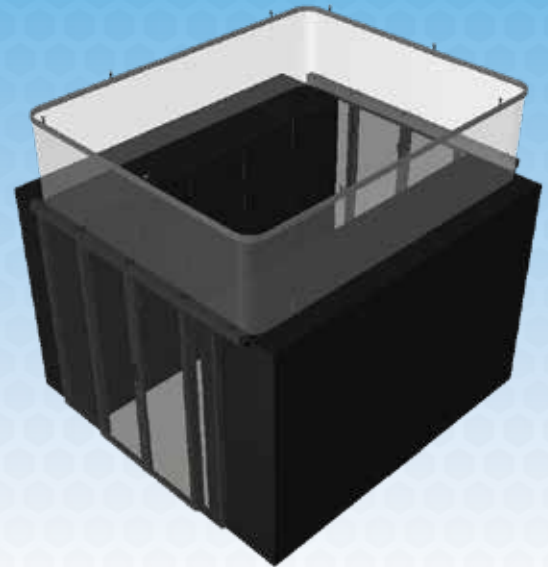
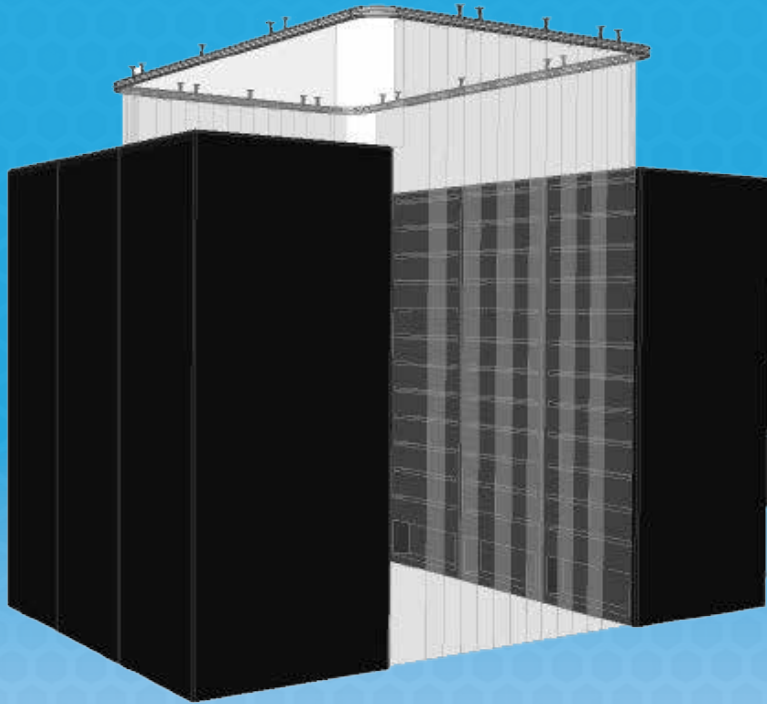


Thermal Walls and Doors



Standard Features

- Heat activated fusible links
- Fire rated clear vinyl curtain
- 90 degree radius corner track
- Aluminum track
- Twist clips for attaching to ceiling
- Custom built to any length or width

Options

- 135 or 165 degree fusible links
- Custom hanging options available



Technical Data: Thermal Walls and Doors

Specifications

Clear Vinyl		
NFPA 701 passed		
UL listed Fire Suppression Fusible Links		
Heat Activated	135° F	165° F
Maximum Load	40 lbs	45 lbs
Minimum Load	3 lbs	3 lbs
Track		
Material	6091 T-5 Temper Aluminum	



Measurements needed for Soft Containment (curtains)

- Length of aisle
- Width of aisle
- Cabinet height
- Distance from floor to ceiling
- Distance from top of cabinets to ceiling
- Ceiling

Typical curtain layout

- Thermal walls are used for containing and separating hot and cold air.
- Thermal doors (curtain strip doors) are used in locations where people will be passing in and out of contained area.
- Curtain corner kits include a 2' 90 degree radius track for a continuous seal around corners.
- Corner curtain will account for 1' of aisle length and 1' of aisle

