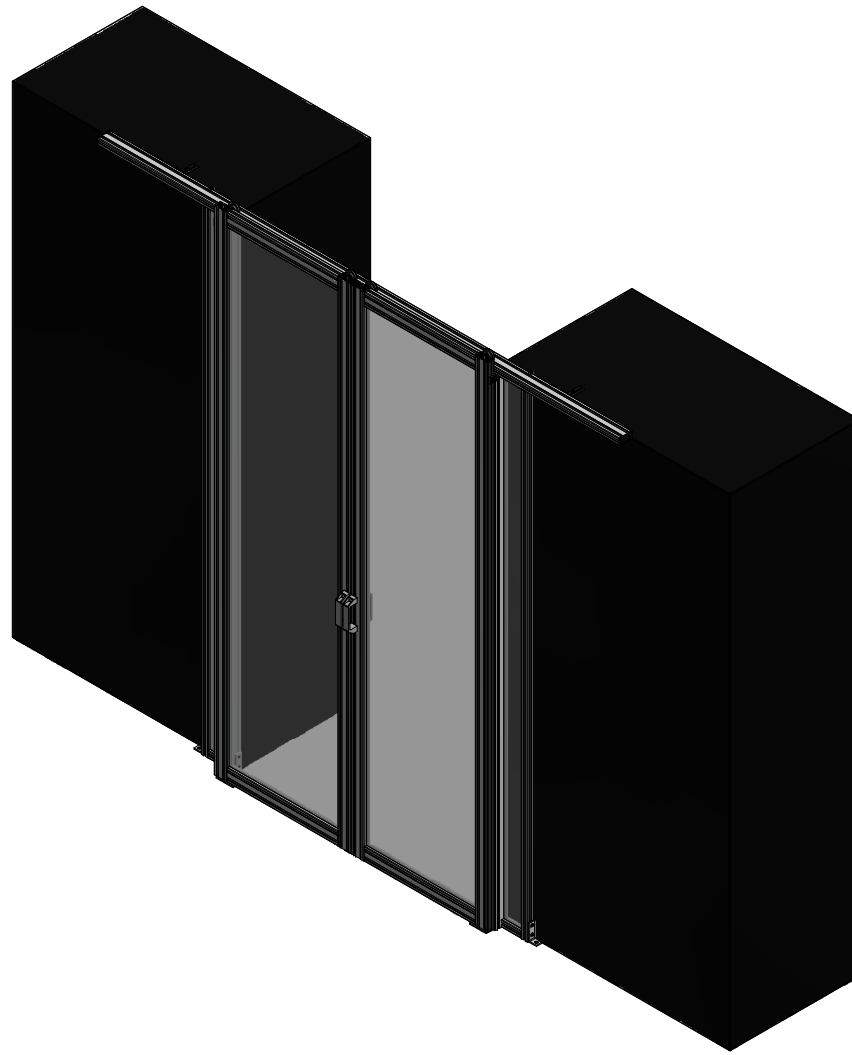
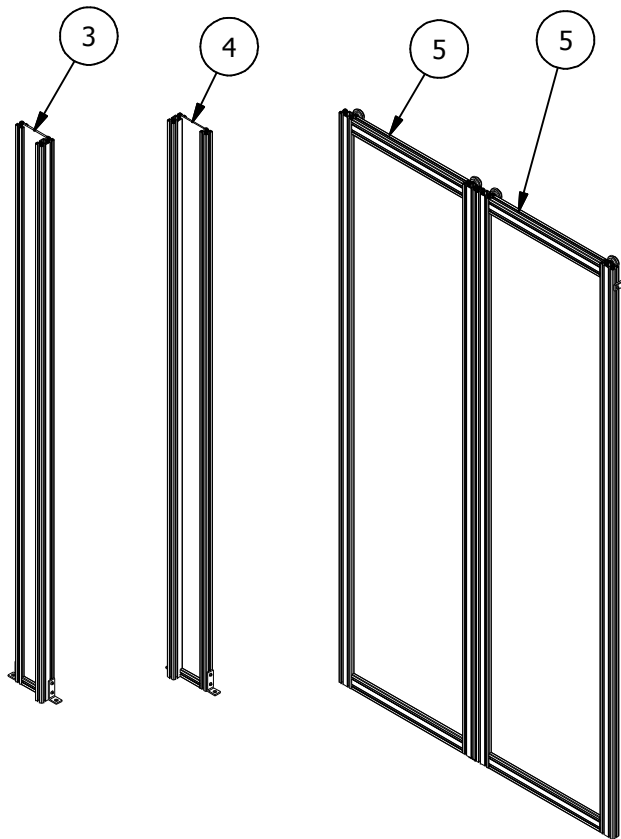
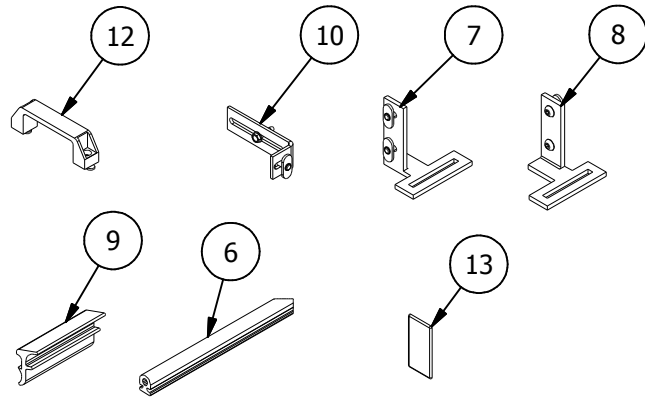


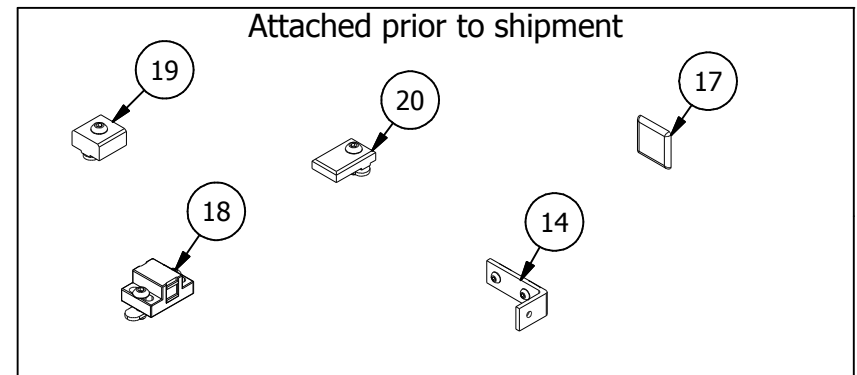
Double Sliding Door

Manual Sliding Installation Manual





PARTS LIST		
ITEM	QTY	DESCRIPTION
2	1	Header
3	1	Left Side Panel
4	1	Right Side Panel
5	2	Doors (Left and Right)
6	3	Foam Bulb/Gasket
7	1	Left Slotted Door Guide
8	1	Right Slotted Door Guide
9	2	Rubber Gasket
10	2	Formed Mounting Bracket
12	4	Door Handle
13	2	Rectangle End Cap
14	4	Floor Mount Bracket
15	6	#10x1-1/2" Pan Head Screw, not shown
16	6	#10-12 Plastic Anchor, not shown
17	1	Square End Cap
18	2	Magnetic Catch
19	2	Retainer Door Stop Bracket
20	2	Retainer Outside Door Bracket



Safety & Handling

When unpacking the Double Sliding Doors and components, be careful not to scratch the aluminum frame and the Lexan. They have been carefully packaged and inspected before crating. Inspect all components and be sure all required hardware is included for assembly.

Use only the proper and recommended tools for all assembly procedures as well as installation of the doors in and around the cabinets.

Do not lean the door or parts against walls, cabinets or posts where there is a chance for them to fall and become damaged.

All movement and assembly requires two persons for safety and protection of the doors being installed and the equipment around them.

Tools List

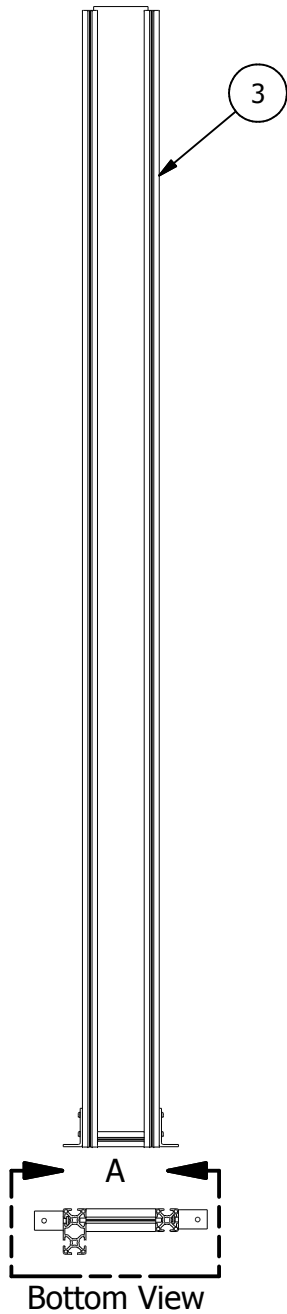
5/16" Hex Nut Driver Bit	Phillips Driver bit	Extension Cord	Hammer	Hacksaw
Rubber Mallet	Level	Tape Measure	3/16" T-Handle Hex Wrench	5/32" T-Handle Hex Wrench
Step Ladder	1/4" Masonry Bit	Hammer Drill	Pencil or marker	String or Straight Edge

General Installation and Tips and Tricks

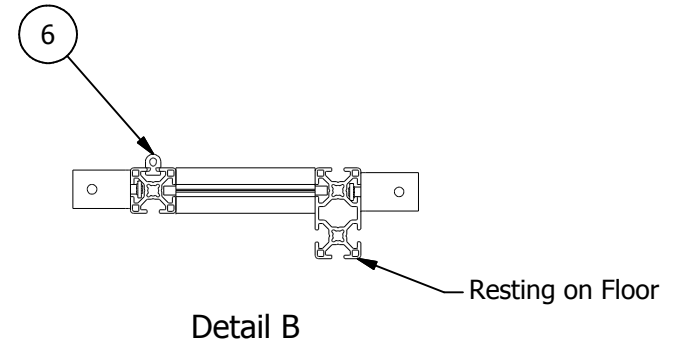
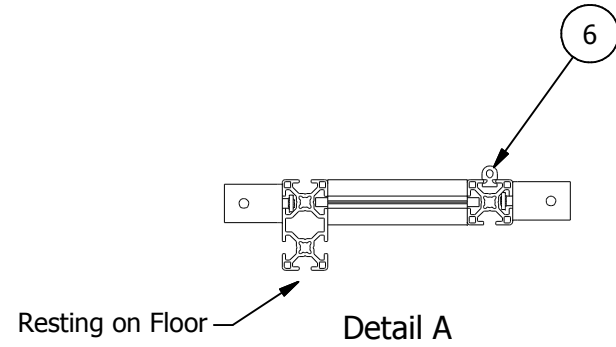
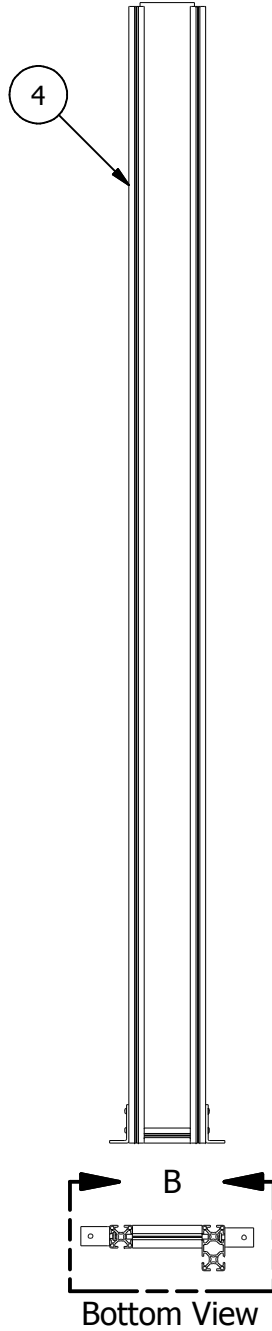
- Assemble the Door Frame by connecting the side panels to the header.
- Place the Door Frame into position and **verify the header is level** and the Door Frame is aligned and plumb. Mount the Side Panels to the floor.
- Verify the header is level and mount the header to the cabinet.
- Place the doors in position and operate. Ensuring the edge of the doors are aligned with the vertical post of the Side Panels.
- Adjust Brackets into position.
- If the T-nut for mounting the hardware cannot be slid into the slot from the end, the T-nut can be inserted directly into the slot by placing a portion of the foam wrapping material in the slot as backing material and then placing the T-nut in front of the foam. This will provide backing for the T-nut and hold it in position while inserting the screw. Once the screw is threaded onto the T-nut, hold the foam material and slide the T-nut off the foam, then remove the foam out of the slot.

1. With Side Panels(Item 3&4) facing down, insert Foam Bulb(6) into the slot of the outer post of each Side Panel(3&4); Caution-Foam Bulb will attract dirt, keep it clean.

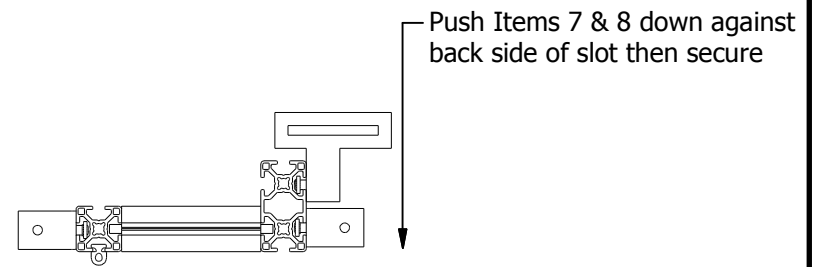
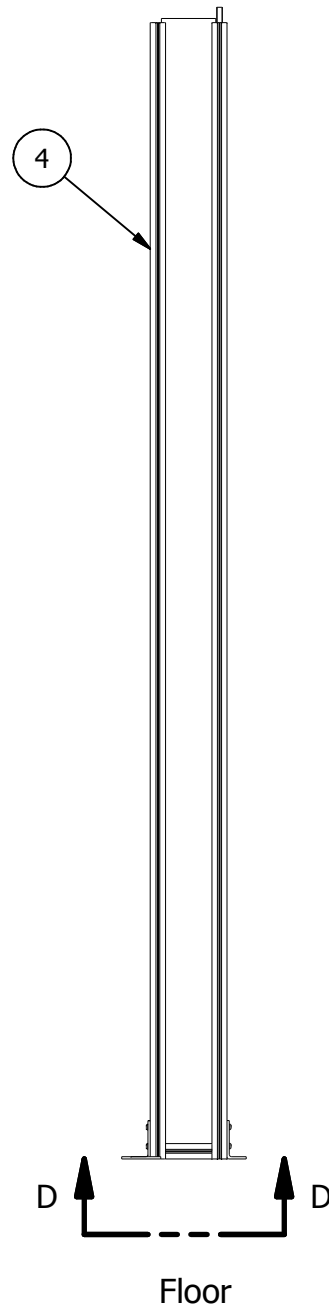
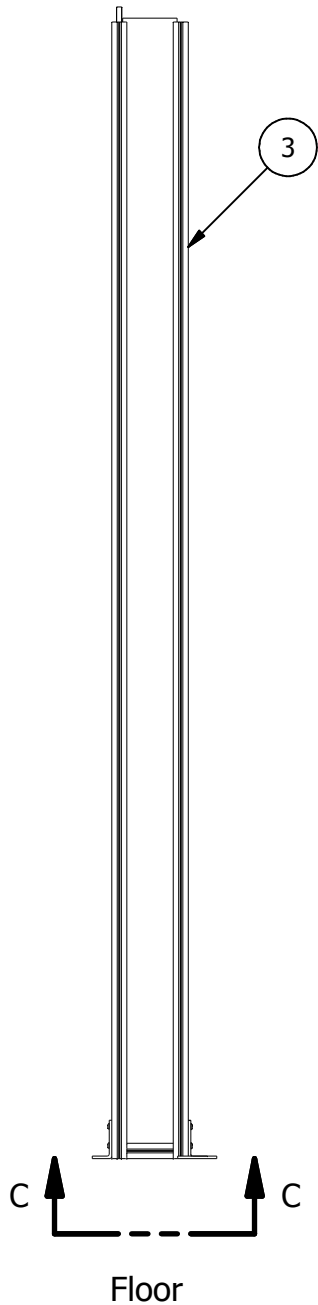
Left Side Panel



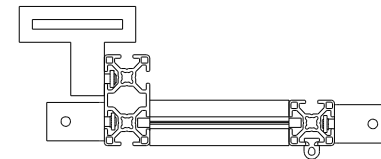
Right Side Panel



1. Flip Side Panel(3&4) so they are facing up with the Foam Bulb down and *place on a clean surface to keep Foam Bulb clean.*
2. Slide the Slotted Door Guide(7&8) into the inner side slot of the Side Panel(3&4). Push the Slotted Door Guide(7&8) down so the screws are against the back edge of the slot (final adjustments will occur later).

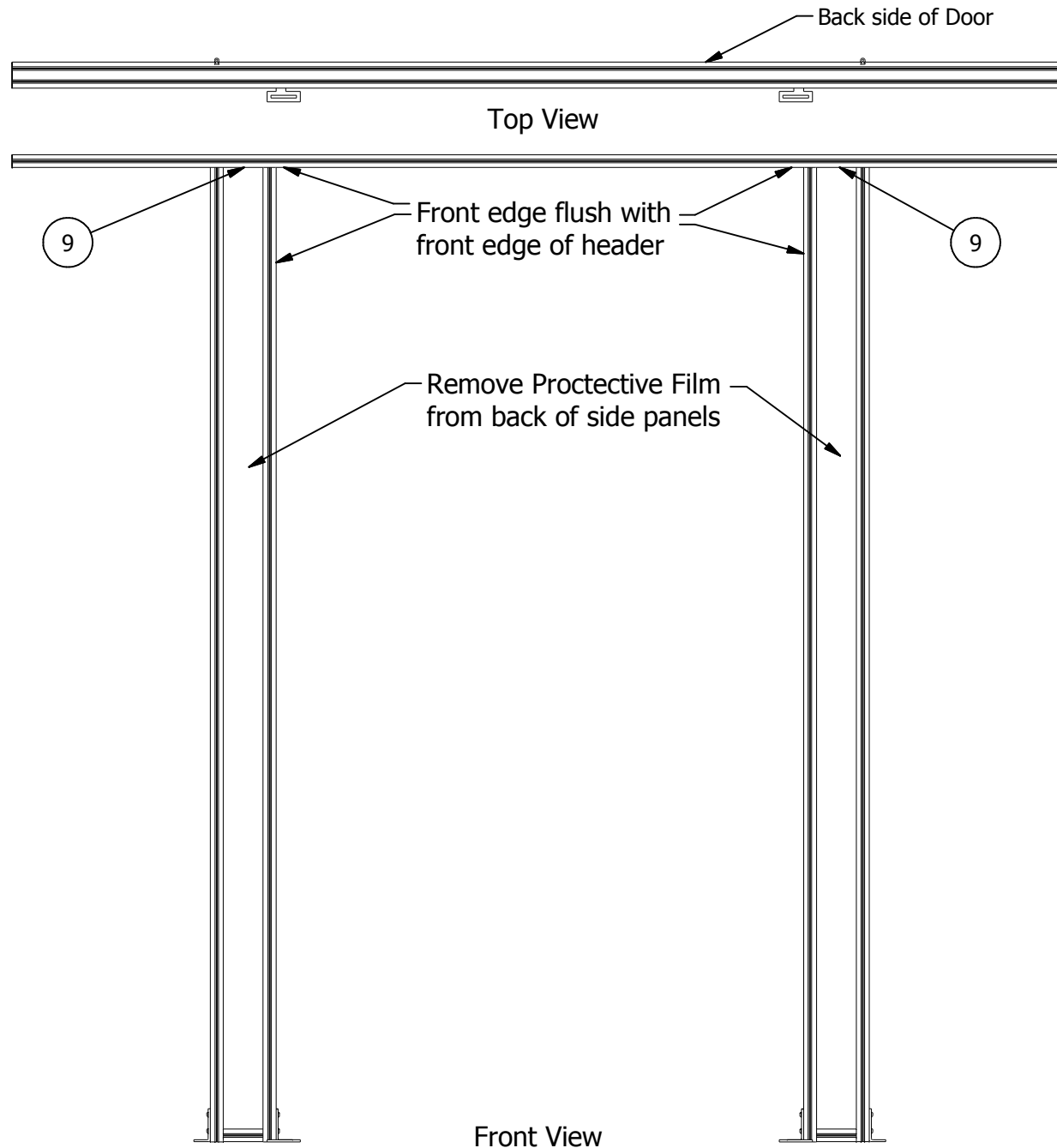


VIEW C-C

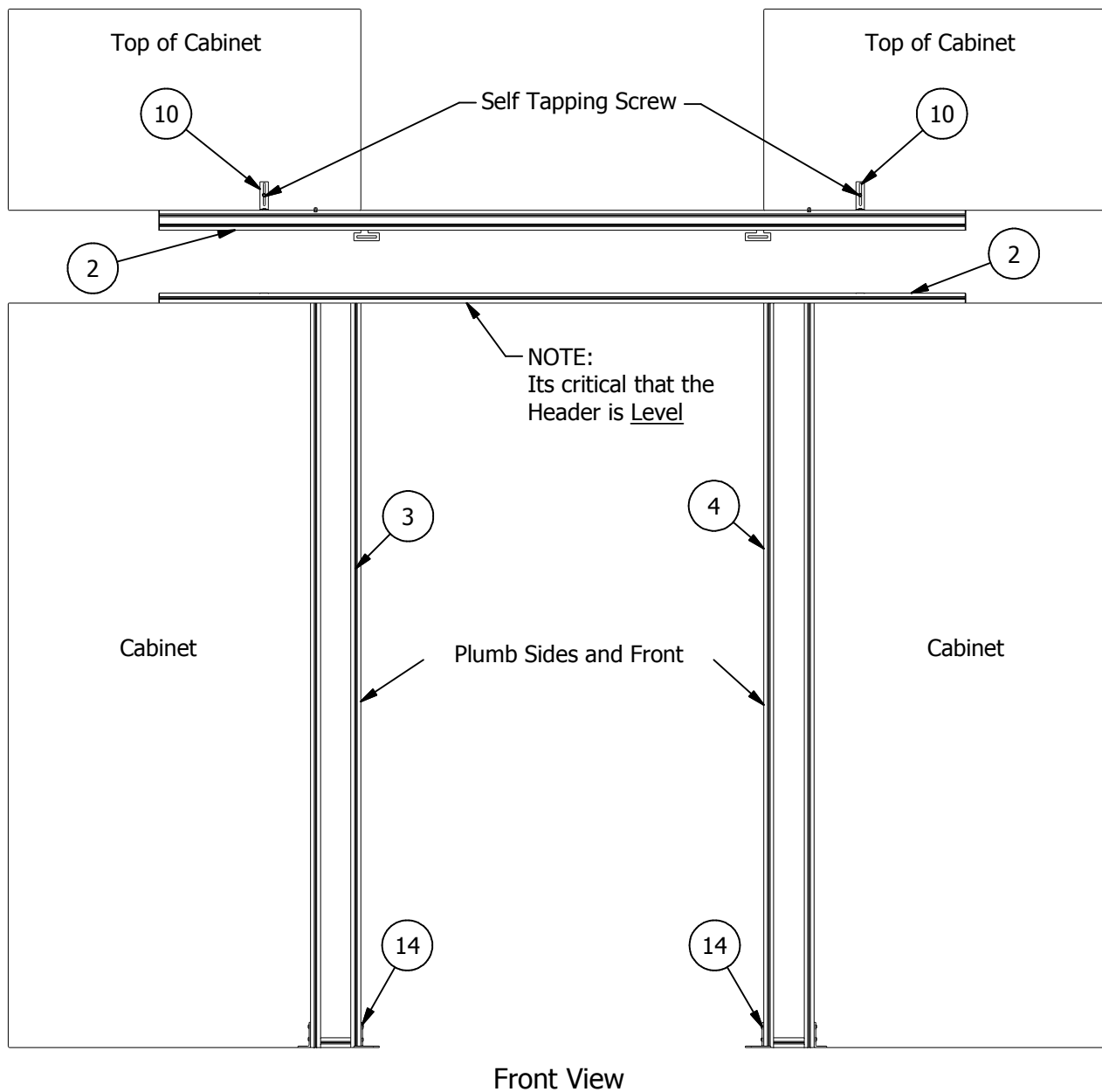


VIEW D-D

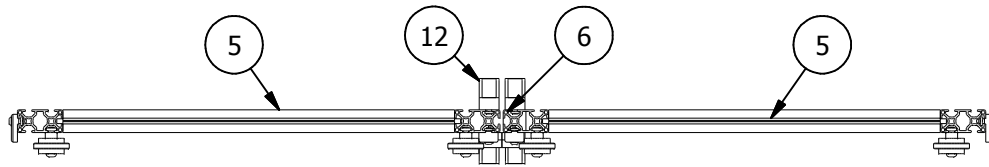
1. Slide the Side Panels(3&4) onto the Header(2) and secure with $\frac{3}{16}$ " Allen Wrench (ensure the Side Panels(3&4) are flush with the edge of the Header(2)).
2. Insert Rubber Gasket(9) into the gap between Header(2) and Side Panel(3&4).
3. Remove protective film from the back side of Side Panels(3&4).



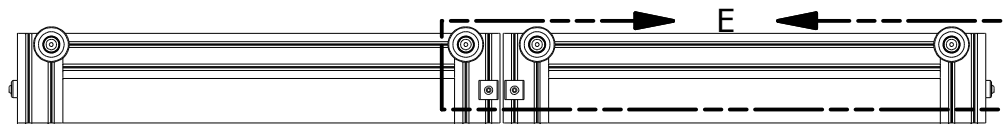
1. Using two people set door frame in place and level the Header(2) by adjusting the Floor Mount Brackets(14) up/down.
Note: It is critical that the header is level for the door to operate properly.
2. Secure the Header(2) to the cabinet in the approximate two locations using Formed Mounting Brackets(10) and associated self tapping screws.
3. Plumb the Side Panels(3&4) and secure in place by adjusting the Floor Mount Bracket(14) and associated hardware (#10 x 1½" Pan Head Screws(15) and #10 Plastic Anchors(16)). *Note: Do not compress the Foam Bulb to tight against the cabinet. Otherwise the center of the frame could bow.*



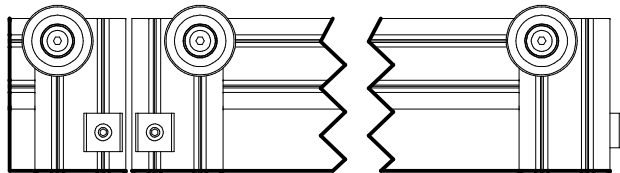
1. Insert the Door Handles(12) on the front of the Door(5) with associated Button Head Socket Cap Screws. Insert from the bottom in the outside slot of the Door(5) and then flip Door(5) over and lay the front of the door on the floor with the back up.
2. Insert the Door Handles(12) with associated Button Head Socket Cap Screws and T-nuts. Insert from the bottom in the outside slot of the Door(5).
3. Insert the Foam Bulb(6) into the side slot of the Left Door(5), which is the slot with the Square Endcap(17). (See Top Door & Bottom Door View). If the Square Endcap is not already inserted, Tap the Square Black Endcap(17) onto the bottom of the door to hold the Foam Bulb(6) in place as shown in the Bottom View below.
4. Slide Retainer Door Stop Bracket(19) and Retainer Outside Door Bracket(20) down approximately 4 inches prior to setting the door on the Header(2)
5. Set each Door(5) on the the Header(2) and ensure each Door(5) rolls freely.



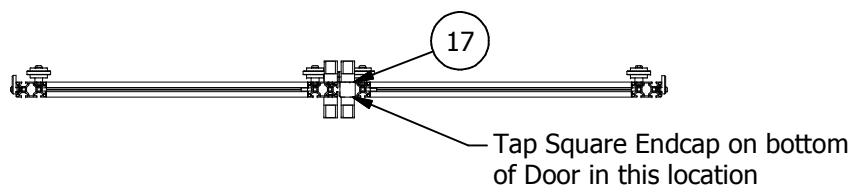
Top Door View



Back of Door View

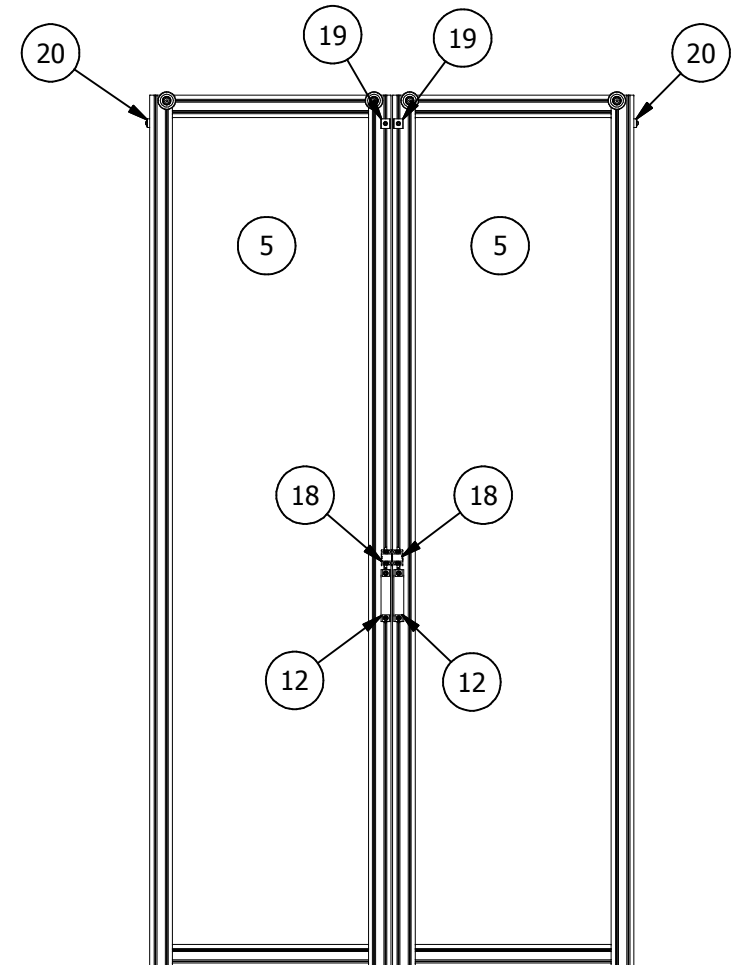


DETAIL E



VIEW F-F

Tap Square Endcap on bottom of Door in this location

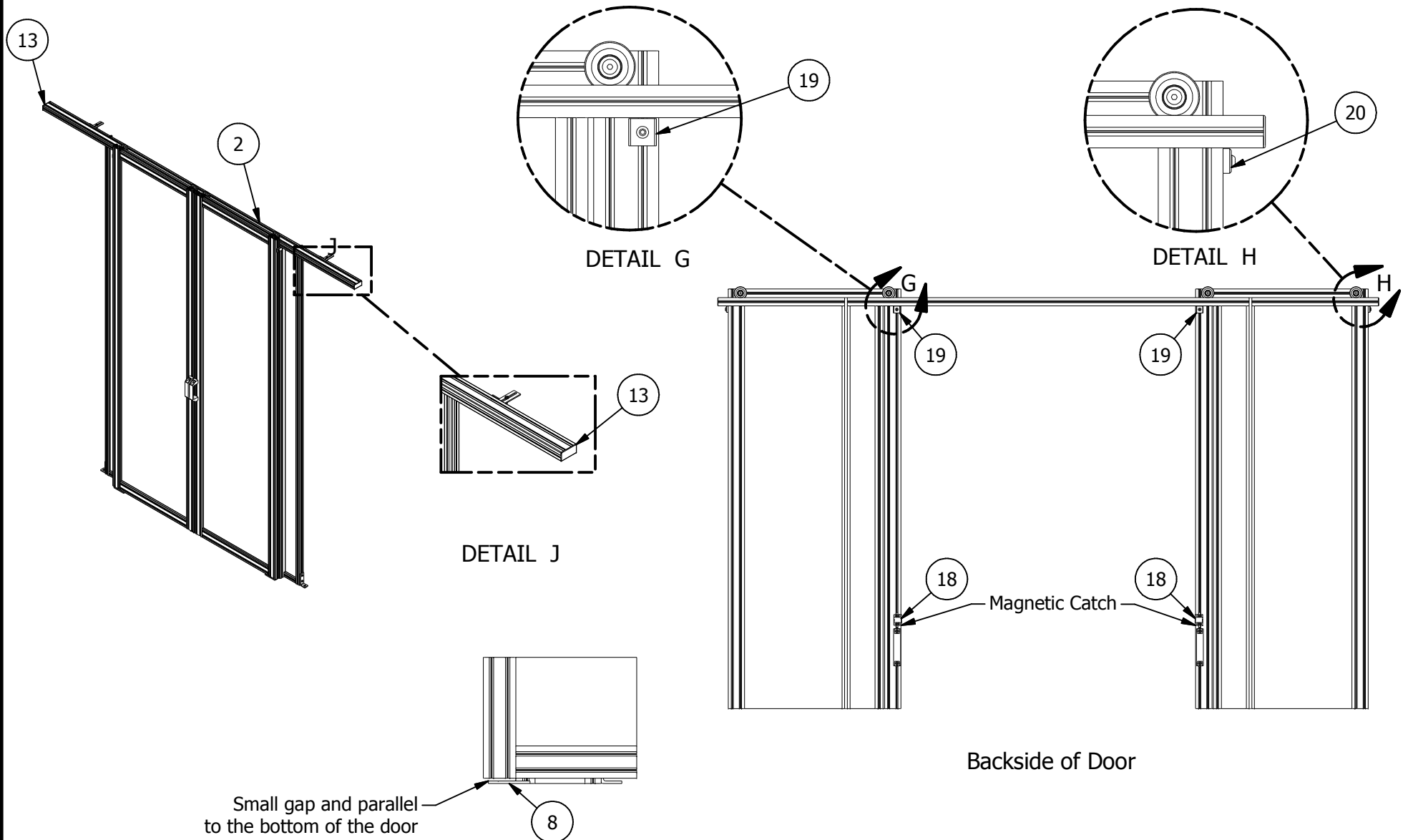


Back View

Right Door

Left Door

1. Verify the operation of Doors(5).
2. Adjust the Door Brackets(19&20) on the backside of the Doors(5) up to the header so there is a very small gap (appx $\frac{1}{64}$ ") between the Door Brackets(19&20) and the Header(2) (see Detail C).
3. Adjust the Magnetic Latches(18) so they are just above the door handles and mated together to hold the door closed (see Backside of Door View).
4. Adjust the Slotted Door Guides(7&8) both vertically to minimize the gap between the door and the frame and also horizontally to minimize the gap between the bottom of the door and the Slotted Door Guide(7&8) without the door rubbing.
5. Verify proper door operation and make adjustments as needed to minimize gaps and provide efficient door operation and containment.
6. Place the rectangular Black Plastic Endcaps(13) on the ends of the headers.



Troubleshooting Guide

Symptom	Solution
Door Rubs on Frame	<ol style="list-style-type: none"> 1. Adjust the Slotted Door Guide(7&8) out to create a bigger gap between the door and frame. The Frame is pressed to tightly against the cabinet causing the Foam Bulb to bow the frame. 2. The Side Panels are twisted on the floor and are not parallel with the header.
Gap between the doors when they are closed	<ol style="list-style-type: none"> 1. Adjust the gap between the doors by using a 3/16" Allen Wrench and loosening the wheels and then make adjustments. This is best performed with two people. One to hold the door in position and the other to loosen and tighten the wheels.

REVISION HISTORY

REV	DESCRIPTION	DATE	APPROVED
3	Updated to include Retainer Brackets and clarifications	11/30/2017	JRN