


TITAN EP

ELECTRONIC PACKAGING



AMCO[™]
ENCLOSURES
an IMS Engineered Products Brand
Racking Technology Since 1943

TitanEP Series

Designed and
Manufactured in the USA 

IMS Engineered Products is
ISO9001 Certified

About Us

Electronics Packaging

Innovative Manufacturing Solutions

AMCO Enclosures has been a leader in the development of enclosure and mounting systems for over seven decades. Our innovations have become the standard for housing electronics and data systems over that time, trusted by companies and institutions providing services that touch virtually every aspect of your daily life.

The world relies on us to provide protection for the equipment that tracks satellites, moves trillions of dollars every day, keeps track of vital health information and processes data about distant planets.

From military installations to banks and hospitals, AMCO Enclosures provides stability and security for the information your world runs on.

TitanEP
Page 10

Aluminum
Page 26



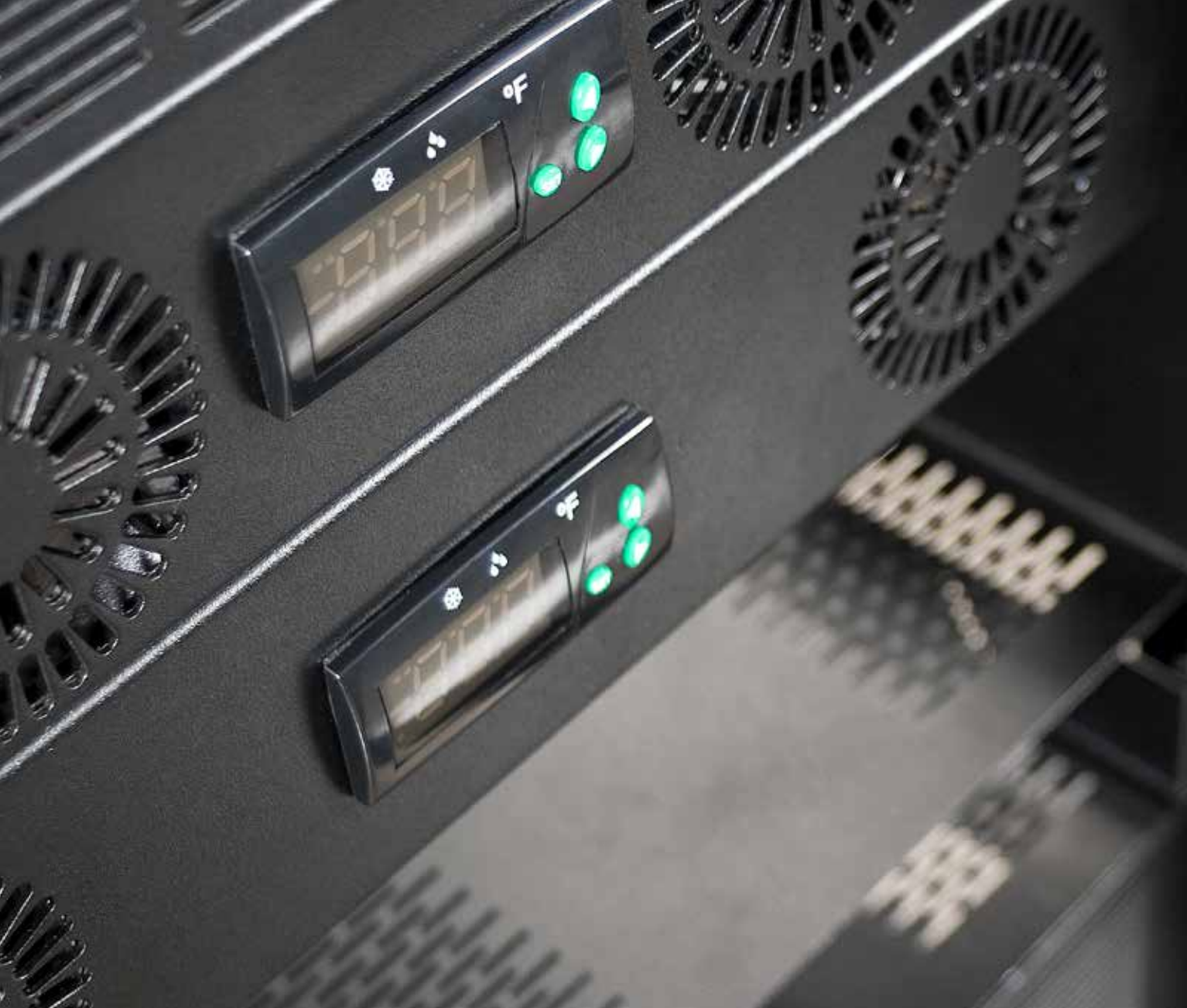
PDMTA Desktop Cabinets
Page 28

Electronics Packaging

AMCO Enclosures is proud to introduce its electronic packaging lines, featuring the TitanEP rack system, PDMTA desktop cabinet and aluminum Structural Framing System (SFS).

Our new TitanEP enclosure is feature-rich and structurally superior as it enhances user interface, reliability, heat dissipation and security with an aesthetically appealing design. We have engineered performance-level standards into our enclosures that keep AMCO at the forefront of enclosure design and development. Our static and dynamic load ratings are the highest in the industry. These enclosures have the built-in flexibility to meet the most demanding requirements and have been tested and certified to





MIL STD.810E for vibration and MIL STD 901D for shock. (Test results are available upon request – some additional accessories are required).

For electronic packaging in a smaller footprint, AMCO presents PDMTA, our line of bench and portable enclosures. These enclosures are the most efficient way to mount your system instrumentation in a portable desktop design.

Our aluminum Structural Framing System (SFS) is perfect for designs that require a lightweight enclosure with high-strength capabilities. This line features 13 different extrusions and 8 different castings that can be mixed and matched to create specific designs for temporary or permanent implementation.



Online Configurator

AMCO Online Configurator

Use this catalog as a guide to design your rack online.



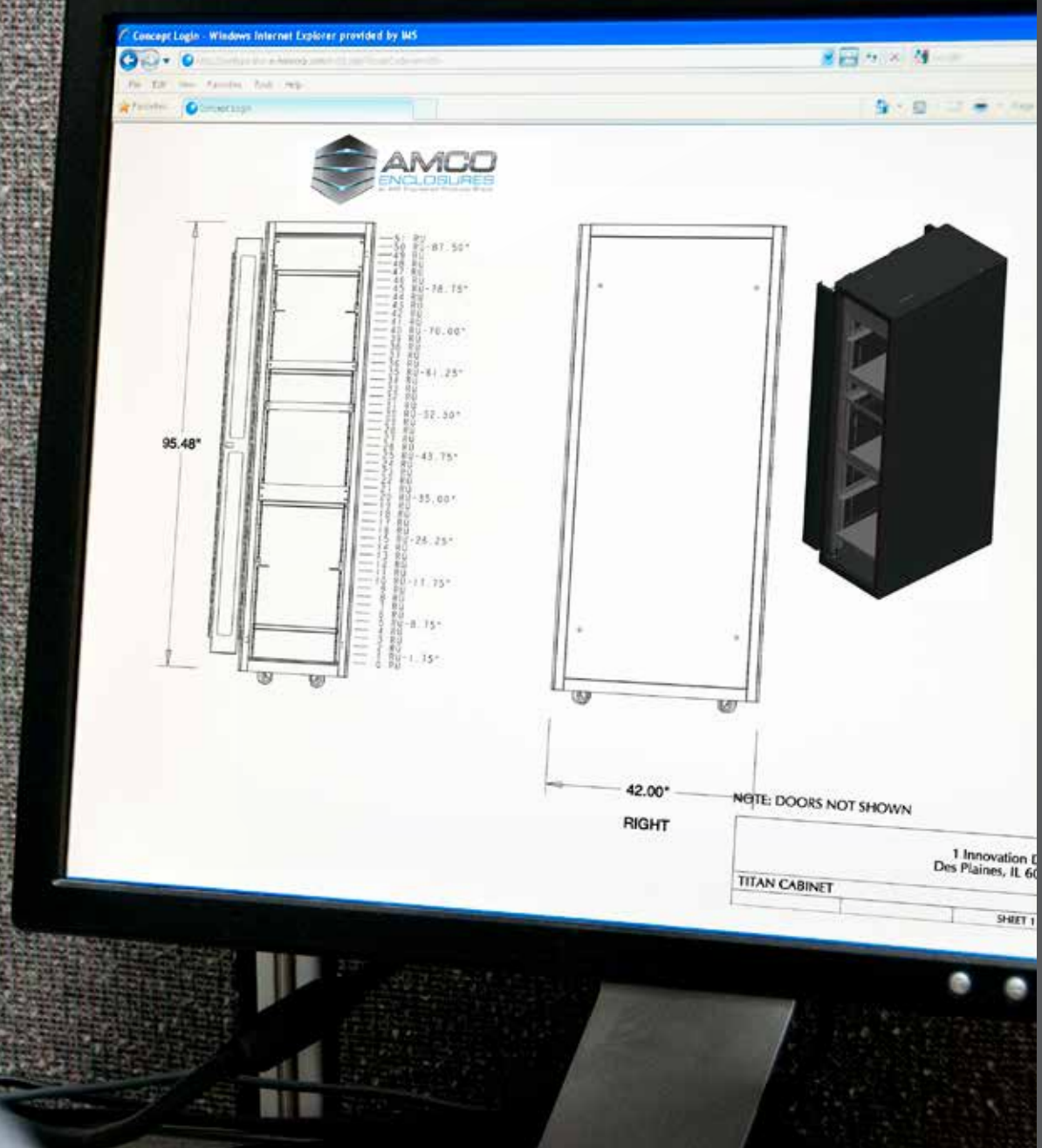
AMCO's rack configurator provides you with maximum results in a minimal amount of time.

No cost, nothing to learn, no software to run – this is a fast and simple to use web-based rack configurator.

Quick, simple steps produce maximum results. Choose a cabinet size (h x w x d) – image adjusts based on your specifications. Continue by adding available accessories.

Place internal accessories and your equipment in the exact RU locations that best fit your rack's specific design requirements.





Results Include

- Bill of material for specific configuration (includes product descriptions and weights)
- Drawing of configured rack for visual reference with accessories mounted in place
- Virtual image to zoom in and out of and 360° view for specific image details
- Saved configurations for reference and future updates
- Quote – based on specific request

3D Virtual Cabinet Included in Configuration



TitanEP Overview

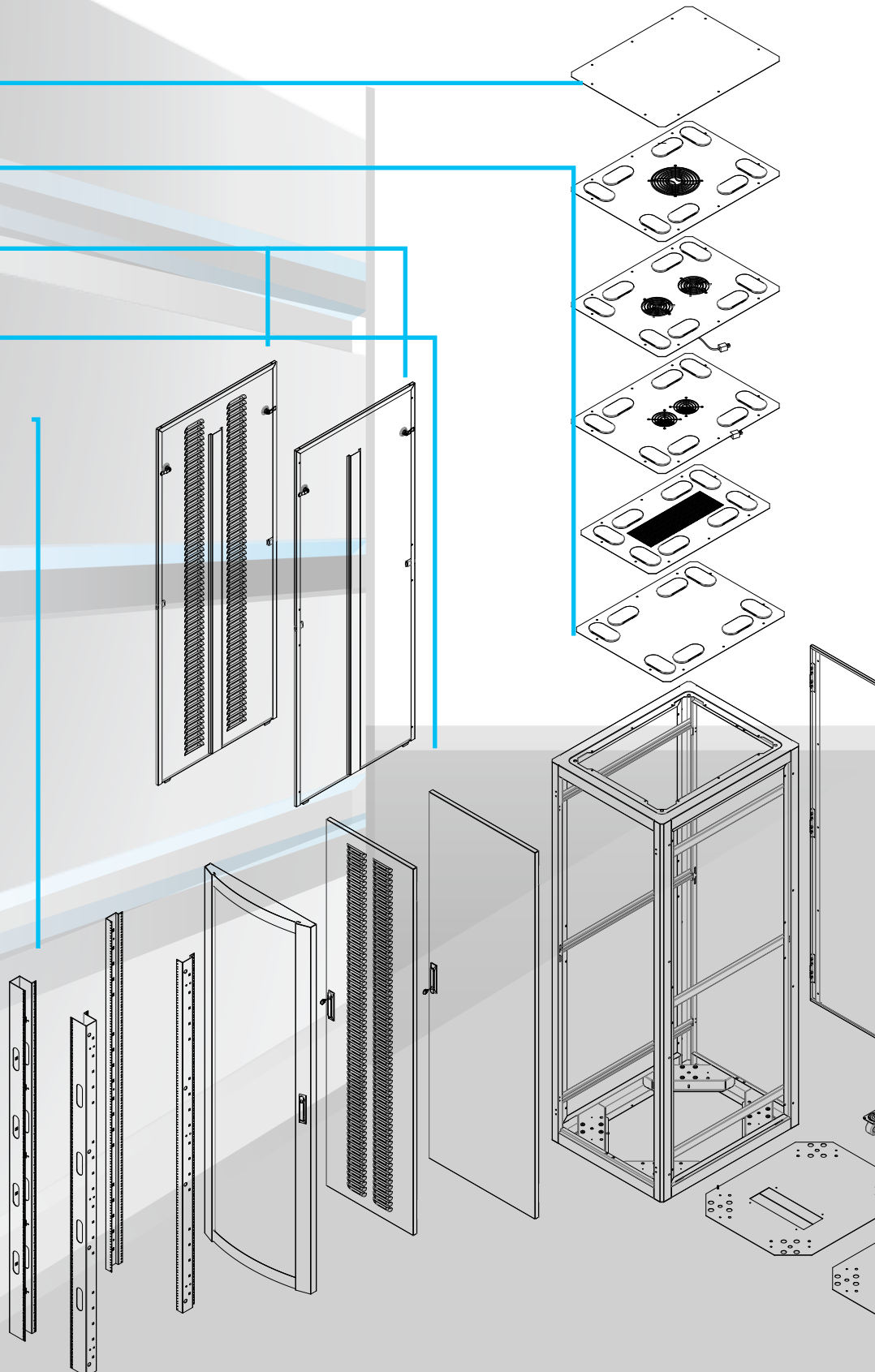
18 Top Panels

10 Frame

16 Side Panels

14 Doors

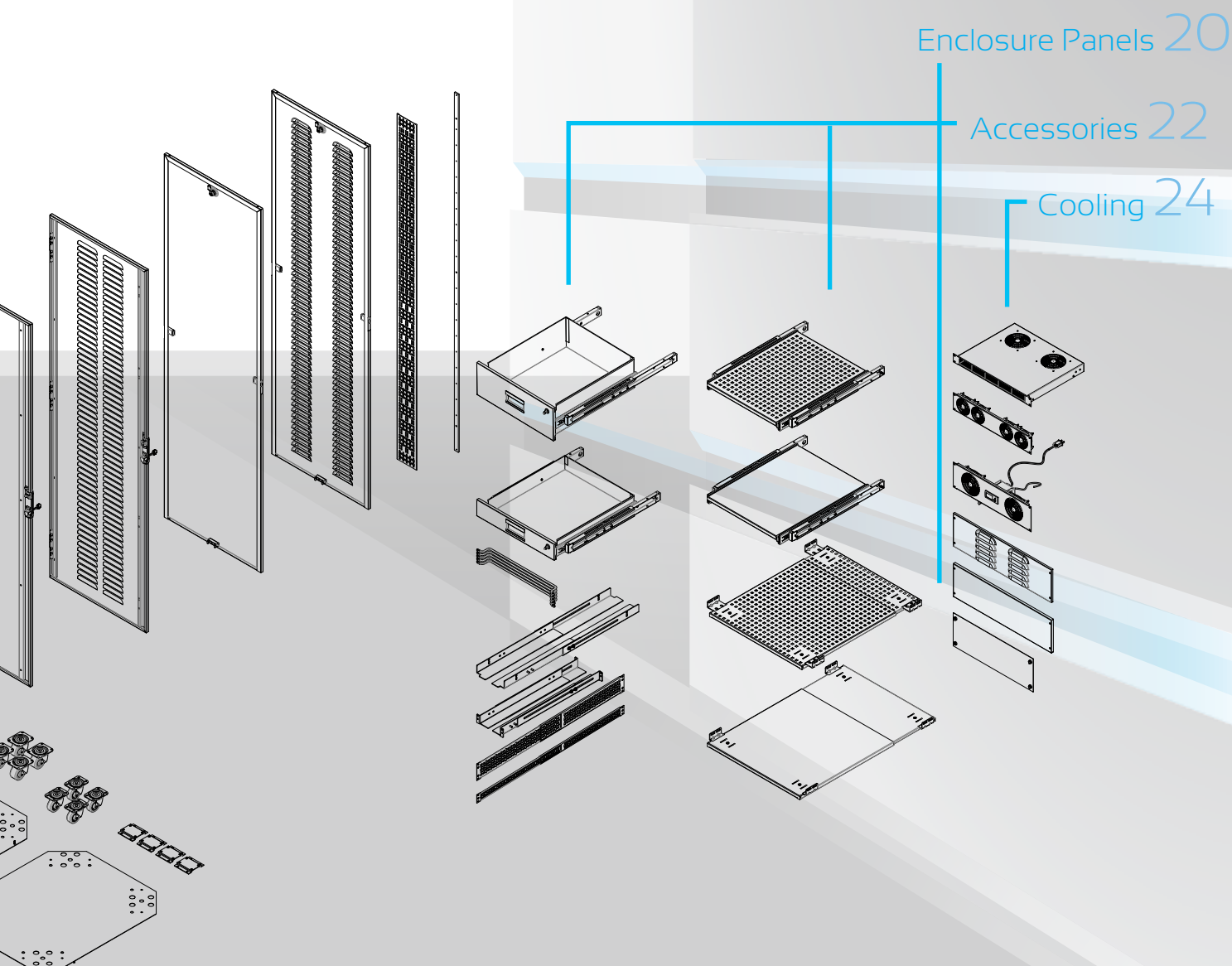
12 Mounting Channels



TitanEP Overview

About TitanEP

Aside from having the highest static and dynamic load ratings in the industry, this enclosure system is extremely flexible in providing custom designs with standard components that expand your system's capabilities. Choose from an extensive selection of frame sizes and colors, then select the door, top, side panels and mounting channel options. A full line of internal accessories completes the design. Modified or custom enclosure designs are available by contacting your local sales representative or contacting us directly at (847) 391-8100.



TitanEP External Features



Top Panels

Top panels include 8-10 cable egress ports (depending on depth) and come in a variety of designs including fan and vented models. A solid top panel is also available without cable egress ports.



Design

Titan EP racks feature a contemporary design with beveled corners that blends well in every environment.



Side Panels

Side panels feature spring latches that slide to open and secure the side panels in place. A keyed lock is also included.



Doors

Curved and flat mount doors feature a contemporary design aesthetic. Door options include solid, vented, polycarbonate and louvered in face and flush mount designs.



Door Hinge

Doors are reversible (left/right-handed) with an easy on/off hinge system.



TitanEP Internal Features



Construction

Frames consist of fully welded construction with multiple forms to enhance overall static and dynamic load performance.



Channels

Mounting channels feature universal (square) or tapped hole mounting as they provide flexibility in metric and domestic hardware deployment.



Side Struts

Side struts feature uni-strut channels, providing fully adjustable front-to-rear equipment mounting.



Accessories

Racks have the flexibility to expand to meet the evolving requirements of your system designs.



Base Plates

Base plates close off the bottom of the enclosure, keeping out air, dust and other elements that might damage your system. Available in both solid and brush strip models. The brush strip model facilitates easy cable egress.

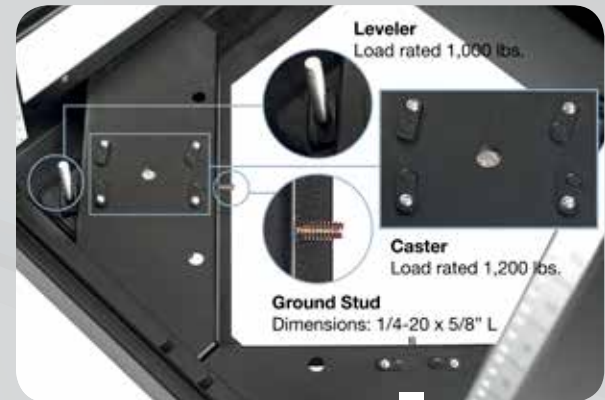
Frame Base Construction

The base has multiple forms and is enhanced with 4 caster brackets that encase the casters for added protection and support.

Below Base



Above Base



Multiple-bay Joining- Fast & Easy

TitanEP racks can be joined together with simple hardware to form multi-bay consoles. No complex joining systems or structures are required - simple nut and bolt hardware makes multiple-bay joining fast and easy.



TitanEP Frames



Frames

TitanEP frames provide exceptional support for your electronics packaging. Our fully welded frames have been designed and engineered from the ground up. The multi-formed main channels in each of the four corners provide unmatched weight support. With formed gussets and side uni-struts, this frame provides industry leading static and dynamic load ratings. Mounting channels are included with each frame. (See Page 12 for mounting channel options).

All TitanEP racks have a ten-year warranty.

Certified Load Ratings:

Static: 5,400 lbs.

Dynamic: 3,300 lbs.

Frames Include:

- Contemporary design
- Certified to MIL STD 901 (Shock) and MIL STD 810 (Vibration)
- Individually numbered RUs
- Four weld studs in each caster base for grounding
- Four 1,000 lb. leg levelers for ground support
- Durable powder coat textured finish
- Joining hardware kit

24" Width Frames

RU Height	25.5" Depth	30" Depth	36" Depth
45	R-TN-45U24-255	R-TN-45U24-30	R-TN-45U24-36
40	R-TN-40U24-255	R-TN-40U24-30	R-TN-40U24-36
35	R-TN-35U24-255	R-TN-35U24-30	R-TN-35U24-36

Sizes Below Available - Contact AMCO Direct for Pricing & Lead Times

30	R-TN-30U24-255	R-TN-30U24-30	R-TN-30U24-36
24	R-TN-24U24-255	R-TN-24U24-30	R-TN-24U24-36
18	R-TN-18U24-255	R-TN-18U24-30	R-TN-18U24-36
12	R-TN-12U24-255	R-TN-12U24-30	R-TN-12U24-36

Note: For 29" width, change 24 to 29 in part number.
(i.e. R-TN45U24-25 becomes R-TN45U29-25)

For size 29W, contact AMCO Direct for Pricing & Lead Times

Frame Color Options

										
Pottery White 101-T	Light Blue 111-T	Silver 112-T	Gunmetal 113-T	Black 116-T	Pearl Gray 122-T	Pebble Gray 123-T	Light Beige 125-T	Cranberry 126-T	Medium Blue 816-T	Glacier White XCP-151T

Note: AMCO Enclosures offers standard color choices (up to 2 per console) for no extra charge. Custom colors are available and quoted upon request.





Design

TitanEP racks have been designed and in-house tested, along with being certified by independent test labs to provide the peace of mind that these racks can withstand even the most demanding environments.

Our packaging has been engineered and developed to assure you that your rack system arrives on-site as originally manufactured.

Tip N Tell labels also protect against possible damage to your rack during product transit.



Mounting Channels

M6 (Square) Holes



MCX Profile

MCW Profile Reducer

Mounting Channels

Mounting channels are fully adjustable front to rear within the enclosure, providing easier equipment adjustments.

All mounting channels have a clear zinc finish, and feature your choice of either M6 (square) or #10-32 (tapped) holes with individually numbered RUs for each rack unit. Individually numbered rack units make equipment installation fast and easy, minimizing downtime.

MCX profile features standard 19" mounting in 24" overall frame widths. MCW profile reducer features 19" mounting in 24" panel opening space for 29" overall frame width. There is an additional 2.5" on either side of the mounted equipment for cable or power management.

Tapped Holes



MCX Profile

MCW Profile Reducer

Mounting Channels

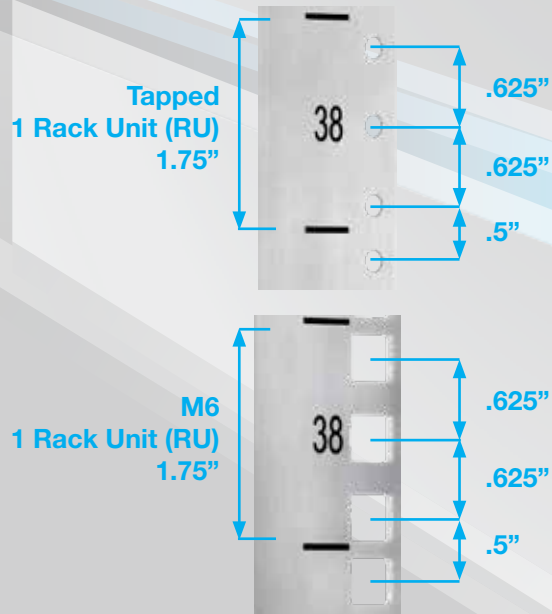
RU Height	MCX Profile-M6	MCX Profile-Tapped	MCW Profile Reducer-M6	MCW Profile Reducer-Tapped
45	MCX-TN-S-45U-PLT	MCX-TN-T-45U-PLT	MCW-TN-S-45U-PLT	MCW-TN-T-45U-PLT
40	MCX-TN-S-40U-PLT	MCX-TN-T-40U-PLT	MCW-TN-S-40U-PLT	MCW-TN-T-40U-PLT
35	MCX-TN-S-35U-PLT	MCX-TN-T-35U-PLT	MCW-TN-S-35U-PLT	MCW-TN-T-35U-PLT
Sizes Below Available - Contact AMCO Direct for Pricing & Lead Times				
30	MCX-TN-S-30U-PLT	MCX-TN-T-30U-PLT	MCW-TN-S-30U-PLT	MCW-TN-T-30U-PLT
24	MCX-TN-S-24U-PLT	MCX-TN-T-24U-PLT	MCW-TN-S-24U-PLT	MCW-TN-T-24U-PLT
18	MCX-TN-S-18U-PLT	MCX-TN-T-18U-PLT	MCW-TN-S-18U-PLT	MCW-TN-T-18U-PLT
12	MCX-TN-S-12U-PLT	MCX-TN-T-12U-PLT	MCW-TN-S-12U-PLT	MCW-TN-T-12U-PLT





M6 and Tapped Holes

All AMCO mounting channels meet EIA standards.



Doors



Curved-Face



Square-Face

Doors

Doors are available as either face or flush mount. Face mount doors mount on the exterior of the frame. Flush mount doors mount flush to the frame.

Door Features:

- Concealed hinges offer easy on/off release
- Doors can be used as either left-hand or right-hand
- Vented doors feature a 77% open airflow pattern, exceeding major equipment vendor requirements
- Swing handles with keyed locks
- Combination swing handle locks optional
- Locks can be ordered keyed alike or separately (keyed separately option quoted upon request)
- Doors are available in solid, smoked polycarbonate, vented and louvered

Optional



Combination handle (H907)

Optional handle with keyed lock available

24" Width Curved-Face

RU Height	Polycarbonate	Solid	Vented
45	DPCFA-TN-45U24	DSCFA-TN-45U24	DVCFA-TN-45U24
40	DPCFA-TN-40U24	DSCFA-TN-40U24	DVCFA-TN-40U24
35	DPCFA-TN-35U24	DSCFA-TN-35U24	DVCFA-TN-35U24

Sizes Below Available - Contact AMCO Direct for Pricing & Lead Times

30	DPCFA-TN-30U24	DSCFA-TN-30U24	DVCFA-TN-30U24
24	DPCFA-TN-24U24	DSCFA-TN-24U24	DVCFA-TN-24U24
18	DPCFA-TN-18U24	DSCFA-TN-18U24	DVCFA-TN-18U24
12	DPCFA-TN-12U24	DSCFA-TN-12U24	DVCFA-TN-12U24

Note: For 29" width, change 24 to 29 in part number.

(i.e. DPCFA-TN-12U24 becomes DPCFA-TN-12U29)

For Size 29W, contact AMCO Direct for Pricing & Lead Times

Note: All doors are mounted right-handed unless requested left-handed at time of order placement.

24" Width Square-Face

RU Height	Polycarbonate	Solid	Vented	Louvered
45	DPFA-TN-45U24	DSFA-TN-45U24	DVFA-TN-45U24	DLFA-TN-45U24
40	DPFA-TN-40U24	DSFA-TN-40U24	DVFA-TN-40U24	DLFA-TN-40U24
35	DPFA-TN-35U24	DSFA-TN-35U24	DVFA-TN-35U24	DLFA-TN-35U24

Sizes Below Available - Contact AMCO Direct for Pricing & Lead Times

30	DPFA-TN-30U24	DSFA-TN-30U24	DVFA-TN-30U24	DLFA-TN-30U24
24	DPFA-TN-24U24	DSFA-TN-24U24	DVFA-TN-24U24	DLFA-TN-24U24
18	DPFA-TN-18U24	DSFA-TN-18U24	DVFA-TN-18U24	DLFA-TN-18U24
12	DPFA-TN-12U24	DSFA-TN-12U24	DVFA-TN-12U24	DLFA-TN-12U24





Flush

24" Width Flush

RU Height	Polycarbonate	Solid	Vented	Louvered
45	DPFL-TN-45U24	DSFL-TN-45U24	DVFL-TN-45U24	DLFL-TN-45U24
40	DPFL-TN-40U24	DSFL-TN-40U24	DVFL-TN-40U24	DLFL-TN-40U24
35	DPFL-TN-35U24	DSFL-TN-35U24	DVFL-TN-35U24	DLFL-TN-35U24

Sizes Below Available - Contact AMCO Direct for Pricing & Lead Times

30	DPFL-TN-30U24	DSFL-TN-30U24	DVFL-TN-30U24	DLFL-TN-30U24
24	DPFL-TN-24U24	DSFL-TN-24U24	DVFL-TN-24U24	DLFL-TN-24U24
18	DPFL-TN-18U24	DSFL-TN-18U24	DVFL-TN-18U24	DLFL-TN-18U24
12	DPFL-TN-12U24	DSFL-TN-12U24	DVFL-TN-12U24	DLFL-TN-12U24

*Note: For 29" width, change 24 to 29 in part number.
 (i.e. DPFL-TN-45U24 becomes DPFL-TN-45U29)*

For Size 29W, contact AMCO Direct for Pricing & Lead Times

Side Panels



Side Panel



Louvered Side Panel

Side Panels

Side panels have been designed for use as baffle panels or to finish off the sides of the enclosure. With this design, two frames can be joined together while separating the internal environment within each frame. Side panels mount within the side perimeters of the rack for a flush design aesthetic.

Side Panel Features:

- Side panels come with one keyed lock (36" depth side panel has two locks), keeping panels secure
- Side panel latches provide easy on/off mechanism (latches not included on 12RU-24RU panel sizes)
- Side panels can be mounted between cabinets when bayed together
- Side panels can be bolted from within the rack for permanent mounting

Side Panel Features



Keyed Locks
Side panels come with locks that keep the side panel secure.



Side Panel Latch
Side panels include a latch system for easy installation and removal.

Side Panel

RU Height	25.5" Depth	30" Depth	36" Depth
45	SPS-TN-45U25	SPS-TN-45U30	SPS-TN-45U36
40	SPS-TN-40U25	SPS-TN-40U30	SPS-TN-40U36
35	SPS-TN-35U25	SPS-TN-35U30	SPS-TN-35U36

Sizes Below Available - Contact AMCO Direct for Pricing & Lead Times

30	SPS-TN-30U25	SPS-TN-30U30	SPS-TN-30U36
24	SPS-TN-24U25	SPS-TN-24U30	SPS-TN-24U36
18	SPS-TN-18U25	SPS-TN-18U30	SPS-TN-18U36
12	SPS-TN-12U25	SPS-TN-12U30	SPS-TN-12U36

Louvered Side Panel

RU Height	25.5" Depth	30" Depth	36" Depth
45	SPL-TN-45U25	SPL-TN-45U30	SPL-TN-45U36
40	SPL-TN-40U25	SPL-TN-40U30	SPL-TN-40U36
35	SPL-TN-35U25	SPL-TN-35U30	SPL-TN-35U36

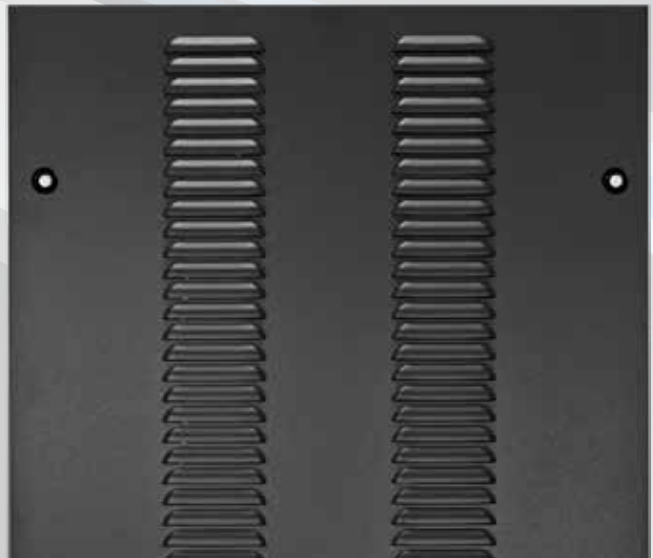
Sizes Below Available - Contact AMCO Direct for Pricing & Lead Times

30	SPL-TN-30U25	SPL-TN-30U30	SPL-TN-30U36
24	SPL-TN-24U25	SPL-TN-24U30	SPL-TN-24U36
18	SPL-TN-18U25	SPL-TN-18U30	SPL-TN-18U36
12	SPL-TN-12U25	SPL-TN-12U30	SPL-TN-12U36



Louvered Side Panels

Louvered side panels mount within the side perimeters of the rack for a flush design aesthetic, and can be bolted to the inside of the frame for security or used with easy on-and-off access. Louvered side panels provide additional protection against the external environment as two separate rows of five-inch-long louvers assist in passive heat dissipation. Horizontal vents keep out falling water, dust and other debris that can harm internal equipment.



Top Panels



Solid w/o Cable Egress Ports



Vented



Solid



BTA4 Fan



BTA6 Fan



BTA10 Fan

Top Panels

Top panels provide expanded options to address today's cooling and cabling requirements. They also provide an additional level of security as they are bolted directly to the top of the rack.

Five of our top panels feature multiple cable egress ports, which include dust covers to close off the top when the ports are not in use.

Solid without Cable Egress Ports

- One-piece, solid-plate construction seats flat within the top of the rack

Vented

- One-piece construction featuring vented section of .187" x .937" slots

Solid with Cable Egress Ports

- One-piece, solid-plate construction seats within the top of the rack with cable egress ports

BTA4 Fan

- Top panel includes two BTA4 fans with 100 CFM per fan, 6' power cord and external finger guards.

BTA6 Fan

- Top panel includes two BTA6 fans with 300 CFM per fan, 6' power cord and external finger guards.

BTA10 Fan

- Top panel includes one BTA10 fan with 665 CFM, 6' power cord and external finger guards.

Cable Egress Ports



Cable Egress Ports

Cable egress ports address demands of wire and fiber cable deployment above the server rack.

24" Width Top Panels

Frame Depth	Solid without Cable Egress Ports	Vented	Solid
36"	TP-TN-2436	TP-AFV-24-36	TP-AFS-24-36
30"	TP-TN-2430	TP-AFV-24-30	TP-AFS-24-30
25.5"	TP-TN-2425	TP-AFV-24-25	TP-AFS-24-255

BTA4 Fan	BTA6 Fan	BTA10 Fan
TPF4-TN-2436	TPF6-TN-2436	TPF10-TN-2436
TPF4-TN-2430	TPF6-TN-2430	TPF10-TN-2430
TPF4-TN-2425	TPF6-TN-2425	TPF10-TN-2425

Note: For 29" width, change 24 to 29 in part number. (i.e. TP-AFS-24-36 becomes TP-AFS-29-36)

For Size 29W, contact AMCO Direct for Pricing & Lead Times





Top Panels with Fans

Top panels with fans feature tube axial fans that generate maximum air movement by using specially designed airfoils for performance in minimal spaces. All fans are 115V (230V quoted upon request) and include a 6' power cord with plug and chrome-plated finger guard for safety. Multiple fans mounted to panels are series wired. Depending on your exact design requirements, fans can be purchased as intake or exhaust.

Please specify "E" for exhaust or "I" for intake at time of order placement.

Fan BTA	# of Fans	Fan Dia.	Total CFM	dB/Fan
4	2	4"	190-230	44-49
6	2	6"	500-596	56-61
10	1	10"	600-665	50-52



Enclosure Panels



Solid Full-Length



Louvered Full-Length

Full-Length Enclosure Panels

Full-length enclosure panels can be modified to incorporate cutouts, punched holes or other custom finishing that support the entire system's design. Enclosure panels are available in both solid or louvered models and are formed.

24" Width Full-Length Enclosure Panels

RU Height	Solid	Louvered
45	RPS-TN-45U24	RPL-TN-45U24
40	RPS-TN-40U24	RPL-TN-40U24
35	RPS-TN-35U24	RPL-TN-35U24

Sizes Below Available - Contact AMCO Direct for Pricing & Lead Times

30	RPS-TN-30U24	RPL-TN-30U24
24	RPS-TN-24U24	RPL-TN-24U24
18	RPS-TN-18U24	RPL-TN-18U24
12	RPS-TN-12U24	RPL-TN-12U24

*Note: For 29" width, change 24 to 29 in part number.
(i.e. RPS-TN-45U24 becomes RPS-TN-45U29)*

For Size 29W, contact AMCO Direct for Pricing & Lead Times

Enclosure Panels

Enclosure panels are used to block out specific RUs for current and future deployment, or to provide a finished look for your overall system. All enclosure panels are formed.

24" Width Enclosure Panels

RU Height	Solid	Louvered
6	EPS-TN-6U24	EPL-TN-6U24
5	EPS-TN-5U24	EPL-TN-5U24
4	EPS-TN-4U24	EPL-TN-4U24
3	EPS-TN-3U24	EPL-TN-3U24
2	EPS-TN-2U24	EPL-TN-2U24
1	EPS-TN-1U24	EPL-TN-1U24

*Note: For 29" width, change 24 to 29 in part number.
(i.e. EPS-TN-6U24 becomes EPS-TN-6U29)*

For Size 29W, contact AMCO Direct for Pricing & Lead Times

EPS/EPL Series Enclosure Panels on this page cannot be used in conjunction with FLUSH mounted doors on a Titan frame.

If panels are required please select Blanking (FLAT) Panels on page 21.



Solid

Louvered



Blanking Panels & Base Plates



Solid Blanking Panels

UA-BPS1
UA-BPS2
UA-BPS3
UA-BPS4
UA-BPS5



Vented Blanking Panels

UA-BPHS1
UA-BPHS2
UA-BPHS3
UA-BPHS4
UA-BPHS5

Blanking Panels

Solid blanking panels fill out empty rack space and help direct air where needed. Vented blanking panels allow heat produced by components to dissipate while covering any blank space between components. Standard finish is black powder coat.

NOTE: Blanking panels not available for 24" panel openings.



Formed Blanking Panels

FBP1
FBP2
FBP3
FBP4
FBP5
FBP6



BP-6U-P

Co-Poly Tool-less 1 ea. 6RU Sheet
(with 6 ea. 1RU panels)
Square hole only



Solid



Brush Strip

Base Plates

Base plates are manufactured from 14 GA. CRS and provide a safe and secure, heavy duty surface at the bottom of the enclosure. They are internally mounted to the enclosure for ease of assembly and access. Base plates provide protection from outside elements and are available as a solid panel or with dual brush strips that provide easy cable and power entry/exit into the rack without affecting the enclosure's internal environment.

Open area of dual brush strip section is 16" L x 5" H for larger power cords and cable bundles. Base plates feature two additional 12-24 grounding studs that are .625" long, located on the internal side flange of the base plate.

24" Width Base Plates

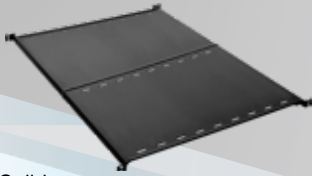
Frame Depth	Solid	Brush Strip
36"	BPS-TN-2436	BPBS-TN-2436
30"	BPS-TN-2430	BPBS-TN-2430
25.5"	BPS-TN-2425	BPBS-TN-2425

Note: For 29" width, change 24 to 29 in part number.
(i.e. BPS-TN-2436 becomes BPS-TN-2936)

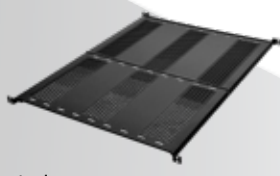
For Size 29W, contact AMCO Direct for Pricing & Lead Times



Accessories



Solid
UA-SHAS-1725 (17" - 25")
UA-SHAS-2540 (25" - 40")



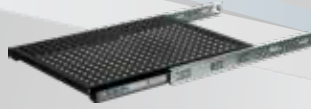
Vented
UA-SHAV-1725 (17" - 25")
UA-SHAV-2540 (25" - 40")

Heavy Duty Adjustable Shelves

Heavy Duty Shelves are 1.75"H (1RU) and adjust to fit 19" width panel openings, with depths from 17" up to 40". They are available in solid or vented models and are load-rated to support up to 300 lbs.



Retractable Solid
SHRS-TN-1U24
SHRS-TN-1U29



Retractable Vented
SHRV-TN-1U24
SHRV-TN-1U29

Retractable Shelves

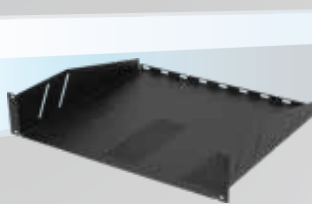
Shelves mount to the front and rear of the mounting channels. They slide out for easy access to equipment. Retractable shelves are available in solid or vented models and support up to 100 lbs. while heavy duty shelves support up to 250 lbs.

Heavy Duty Retractable Solid
SHRS-TN-2U24-HD
SHRS-TN-2U29-HD

Heavy Duty Retractable Vented
SHRV-TN-2U24-HD
SHRV-TN-2U29-HD

Light Duty Shelf

UA shelves are light duty and mount to the front of the mounting channel. The shelves are 19" wide, 16" deep and available in the following heights: 1RU, 2RU, 3RU, 4RU and 5RU. They are capable of supporting components up to 80 lbs. Standard finish is black powder coat.



Vented Light Duty Shelf
UA-SH1 (15 lb. load rating)
UA-SH2 (50 lb. load rating)
UA-SH3 (60 lb. load rating)
UA-SH4 (70 lb. load rating)
UA-SH5 (80 lb. load rating)



Heavy Duty Drawer With Lock
DR-TN-2U24-20
DR-TN-4U24-20

Heavy Duty Drawer

Heavy duty drawers have a 150 lb. load rating and feature adjustable slides that mount to the side flanges of the mounting channels. The drawer's formed front panel includes an aluminum handle with the same color powder coat finish as the drawer, as well as a keyed lock.



Light Duty Caster
CA-C175

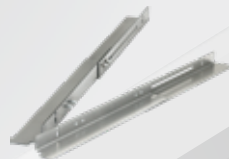


Heavy Duty Caster
CA-C1200

Casters

All casters include assembly hardware to mount the casters to the rack.

- Light duty with metal shim 175 lbs. load rating/caster
 - adds 1" to overall frame height
- Heavy duty 1,200 lbs. load rating/caster
 - adds 1.75" to overall frame height



Chassis Guides
CHGA-TN-2536
(25"-33.75" Depths)

Adjustable Chassis Guides

Chassis guides have a 2" H x 2" W profile and are fully adjustable from 25" thru 33.75". The flanges support component-mounted hardware in a minimal profile. Chassis guides support 125 lbs.



Accessories



Busbar

BB-TN-12U
BB-TN-18U
BB-TN-24U
BB-TN-30U
BB-TN-35U
BB-TN-40U
BB-TN-45U



Lacing Bar "C" Style

UA-LB2 (2" depth)
UA-LB4 (4" depth)
UA-LB6 (6" depth)



Lacing Bar Straight Style

UA-LB3



Round Lacing Bar

UA-LBR2

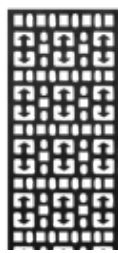


Adjustable Cable Lacing Strip 1RU

UA-LBA-1421 (14"-21" depth)
UA-LBA-2537 (25"-37" depth)

2RU

UA-LBA-1421-2U (14"-21" depth)
UA-LBA-2537-2U (25"-37" depth)



Vertical Cable Lacing Strip (5" Width)

CLS-12U-5
CLS-18U-5
CLS-24U-5
CLS-30U-5
CLS-35U-5
CLS-40U-5
CLS-45U-5

Ground Bar

Vertical busbars are used to ground your valuable equipment within the rack. Busbars are copper with a 1" W x 1/4" D profile. They feature #10-32 tapped holes.

Lacing Bars

Lacing bars are sold in packs of five. Standard finish is black powder coat.

Cable Lacing Strips

Vertical cable lacing strips provide mounting support for PDUs and cabling. Cable lacing strips have a combination of M6 holes for cable ring mounting (HK-CR1) or equipment tie down, while the slots can accept cable ties, fasteners, etc. Lacing strips are sold individually. Standard finish is black powder coat.

Cable Ring Kit

Cable rings easily mount to M6 holes in cable lacing strips and provide an immediate tie-down point for cabling.

Sold in packs of 10.

Hardware Kits

Additional mounting hardware is available for equipment mounting.



M6
HKM6-25



Dzus M6
HKDZ-25



Hardware Kit
T441



Joining Kit
HK-R-TN



Cable Ring Kit
HK-CR1



10-32 Hardware Kit
HKEP1032-25



Hardware Kit
HK500

Square Hole Mounting Hardware Kits

HKM6-25 or 50- M6 hardware for equipment mounting.

Includes 25 or 50 M6 mounted screws.

HKDZ-25- (25) M6 Metric DZUAS easy inserts and M6 clear chromate screws.

HKEP1032-25- (10-32 HARDWARE KIT) (25) 10-32 nut retainer and (25) 10-32 X 1/2L screws

10-32 Tapped Hole Mounting Hardware Kits

T441- (25) 10-32 X 1/2 black phillips pan head screw w/washer

HK500- (500) 10-32 x 1/2 black phillips pan head w/washer

Frame Joining Hardware

HK-R-TN- Frame-joining kit (eight pieces)



Cooling



Fan Stack

Fan stack units provide active cooling for a specific electronic component within the rack and come in two depths. These units install as easily as a shelf and have a five-foot power cord. Fans turn on from 83°- 85°, keeping components cool. Standard finish is black powder coat.

Part Number	CFM (total)	DB	Voltage	# of Fans	Fan Dia.	Depth
UA-FS1-S8	120	27	115	2	4.75"	8"
UA-FS1-S14	120	27	115	2	4.75"	14"



Fan Panel With Display

Fan panels with a digital display allow you to set the sensor to a specific temperature range of 58° to programmable max and have a six-foot power cord. This ensures that your electronic components will operate at peak performance. Standard finish is black powder coat.

Part Number	CFM (total)	DB	Voltage	# of Fans	Fan Dia.	Rack Height
UA-QFD2-2	50	28	115	2	3"	2RU
UA-QFD2-4	100	28	115	4	3"	2RU
UA-QFD3-2	120	27	115	2	4.75"	3RU



Fan Panel Without Display

Fan panels have a preset activation temperature of 83°- 85° and five-foot power cord. This ensures that your electronic components will operate at peak performance. Standard finish is black powder coat.

Part Number	CFM (total)	DB	Voltage	# of Fans	Fan Dia.	Rack Height
UA-QF2-2	50	28	115	2	3"	2RU
UA-QF2-4	100	28	115	4	3"	2RU
UA-QF3-2	120	27	115	2	4.75"	3RU



Power



Power Options

Choose from our standard selection of power components that address today's demands for power distribution, environmental monitoring and security concerns. 15 and 20-amp strips are available in 120V and 208V with a variety of receptacles and plug models to choose from. Advanced two and three-phase monitored power as well as basic 115V rack mount strips are also available.

AMCO can accommodate most power requirements. All PDUs feature a 10' power cord unless otherwise specified. Other power options are quoted upon request.

Power Specifications

Part Number	Length	# of Outlets	Receptacle Type	Amp	Phase	Volts	Circuit Breaker	Plug	Power Meter
PDU3910N-15-120P1-1510	39"	10	NEMA 5-15R	15	Single	120V	Yes-Thermal	NEMA 5-15P Straight	NO
PDU3910N-15-120P1-1510T	39"	10	NEMA 5-15R	15	Single	120V	Yes-Thermal	NEMA L5-15P TL	NO
PDU4814N-15-120P1-1510	48"	14	NEMA 5-15R	15	Single	120V	Yes-Thermal	NEMA 5-15P Straight	NO
PDU4814N-15-120P1-1510T	48"	14	NEMA 5-15R	15	Single	120V	Yes-Thermal	NEMA L5-15P TL	NO
PDU6620N-15-120P1-1510	66"	20	NEMA 5-15R	15	Single	120V	Yes-Thermal	NEMA 5-15P Straight	NO
PDU6620N-15-120P1-1510T	66"	20	NEMA 5-15R	15	Single	120V	Yes-Thermal	NEMA L5-15P TL	NO
PDU3910N-20-120P1-2010	39"	10	NEMA 5-20R	20	Single	120V	Yes-Thermal	NEMA 5-20P Straight	NO
PDU3910N-20-120P1-2010T	39"	10	NEMA 5-20R	20	Single	120V	Yes-Thermal	NEMA L5-20P TL	NO
PDU4814N-20-120P1-2010	48"	14	NEMA 5-20R	20	Single	120V	Yes-Thermal	NEMA 5-20P Straight	NO
PDU4814N-20-120P1-2010T	48"	14	NEMA 5-20R	20	Single	120V	Yes-Thermal	NEMA L5-20P TL	NO
PDU6620N-20-120P1-2010	66"	20	NEMA 5-20R	20	Single	120V	Yes-Thermal	NEMA 5-20P Straight	NO
PDU6620N-20-120P1-2010T	66"	20	NEMA 5-20R	20	Single	120V	Yes-Thermal	NEMA L5-20P TL	NO

Aluminum



Aluminum SFS

Our heavy duty aluminum Structural Framing System (SFS) is a simple method of designing and building frames and enclosures to special size and strength requirements. This unique AMCO Enclosures system provides a selection of 13 aluminum extrusions (1.50" OD) and 8 types of corner castings (0.125" wall thickness). The flanges in the extrusions accommodate .625" formed panels and .125" flat panels (made upon request). The system accepts locking clips (provided standard) for permanent designs or non-locking clips (optional) for prototypes or planned disassembly. When reinforced with bolt-on gussets, SFS assemblies can meet MIL-STD-167-1 shock and vibration requirements.

Ordering Information:

The SFS can be ordered in the following ways to meet your current and future requirements:

- Completely pre-configured, assembled and shipped ready to load
- In cut-to-size kits (assembly required)
- As bulk material (castings and extrusions you can stock, cut and modify yourself based on per project requirements)



Aluminum Gusset with Hardware
ALG



Locking Clips
ALC-S



Non-Locking Clips
ALC-SN



Pins
H264

Aluminum Castings (Material: 356-T6 aluminum per ASTM B108)

Castings are furnished with locking clips for assembly to extrusions. Special services available include: machining, hardware installation, marking and packaging.



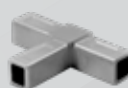
ALC-1
Three corner casting



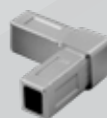
ALC-2
Four ear corner, joining or foot casting



ALC-3
0° to 120° hinged casting



ALC-4
Three ear corner casting



ALC-5
Two ear corner casting



ALC-6
Five ear corner casting



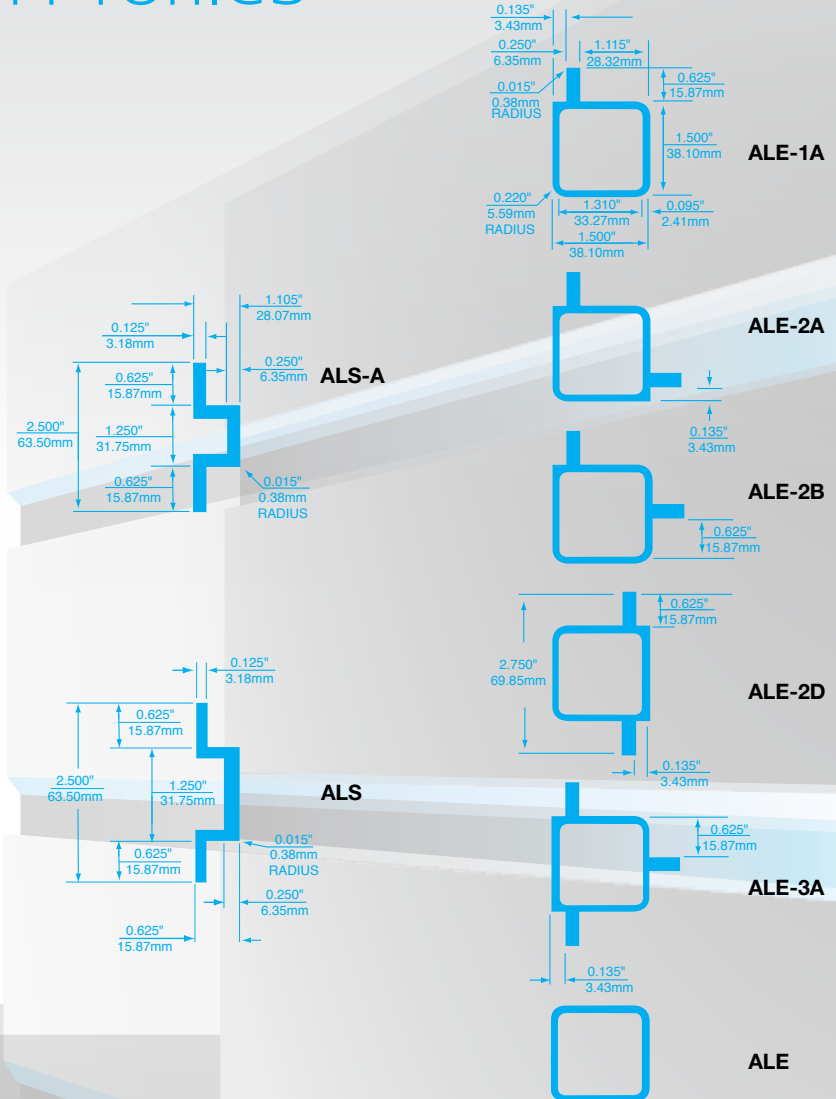
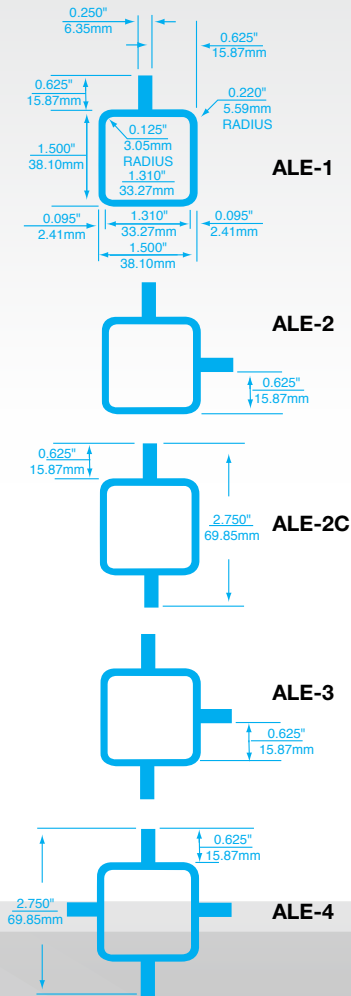
ALC-7
Four ear (cross) joining casting "X"



ALC-8
Six ear joining casting



SFS Extrusion Profiles



SFS Extrusion Profiles (Material: 6061-T6 aluminum per ASTM B221)

Maximum extrusion length is 20'. Extrusions are supplied without mounting holes. Extrusions will be pre-cut to length and mitered to 90° angles at no additional cost.

For Flush Mounting 1/8" (3.18mm) Flat Panels

- ALE-1A** Single flange for corner members 1/8" (3.18mm) flat panel.
- ALE-2A** Double flange for corner members 1/8" (3.18mm) flat panel.
- ALE-2B** Double flange, corner member for 1/8" (3.18mm) flat panel combination flush and recessed.
- ALE-2D** Double flange provides joining member for a variety of panels.
- ALE-3A** Triple flange provides joining member for a variety of panels.
- ALE** No flanges.

For Flush Mounting 5/8" (15.88mm) Formed Panels or Recessing 1/8" (3.18mm) Flat Panels

- ALE-1** Single flange used as corner member flush 5/8" (15.88mm) or recessed 1/8" (3.18mm) panels.
- ALE-2** Double flange used as corner member flush 5/8" (15.88mm) or recessed 1/8" (3.18mm) panels.
- ALE-2C** Double flange provides joining member for mounting flush 5/8" (15.88mm) panels.
- ALE-3** Triple flange provides joining member for mounting flush 5/8" (15.88mm) or recessed 1/8" (3.18mm) panels.
- ALE-4** Quad flange provides center support joining member for internal mounting flush 5/8" (15.88mm) or recessed 1/8" (3.18mm) panels.

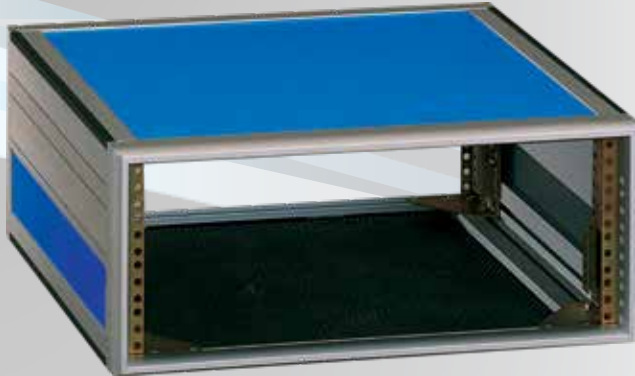
Accessory Mounting Channels

- ALS-A** Horizontal support member used with ALE-1A, -2A, -2B and -3A frame members for mounting ALM.
- ALS** Horizontal support member used with ALE-1, -2 and -3 frame members for mounting ALM.

Note: Dimensions noted above are for reference only.



PDMTA Desktop Cabinets



PDMTA Desktop Cabinets

PDMTA desktop cabinets feature radius edge styling. They are available in 19" and 24" widths. Desktop cabinets can be modified for custom applications. *(Special sizes and color options are quoted upon request)*

All AMCO desktop cabinets are available with an optional concealed handle for easy, ergonomic transport. Protective rubber feet are standard.

18.5" depth PDMTA desktop cabinets are capable of utilizing light duty shelves, as the shelves have a 16" depth. For 25.75" depth cabinets, light duty and heavy duty shelves can be used. Solid and louvered enclosure panels are also available. *(See page 21 and 22 for accessories)*

19" Width PDMTA Desktop Cabinets

RU Height	Part Number	Panel Height (A)	Overall Height (B)	Cabinet Depth (C)
12	PDMTA21-19-25-PT	21.00"	22.43"	25.75"
12	PDMTA21-19-18-PT	21.00"	22.43"	18.5"
10	PDMTA17-19-25-PT	17.5"	18.93"	25.75"
10	PDMTA17-19-18-PT	17.5"	18.93"	18.5"
8	PDMTA14-19-25-PT	14.00"	15.43"	25.75"
8	PDMTA14-19-18-PT	14.00"	15.43"	18.5"
6	PDMTA10-19-25-PT	10.5"	11.93"	25.75"
6	PDMTA10-19-18-PT	10.5"	11.93"	18.5"
4	PDMTA7-19-25-PT	7.00"	8.43"	25.75"
4	PDMTA7-19-18-PT	7.00"	8.43"	18.5"
3	PDMTA5-19-25-PT	5.25"	6.68"	25.75"
3	PDMTA5-19-18-PT	5.25"	6.68"	18.5"
2	PDMTA3-19-25-PT	3.5"	4.93"	25.75"
2	PDMTA3-19-18-PT	3.5"	4.93"	18.5"

PDMTA Desktop Cabinet Features:

- EIA Standard 310D
- Aluminum framing system with clear anodized aluminum radius styling
- Fixed vertical mounting channels, front and rear
- Cabinets are supplied open front and rear
- Protective front-to-back vinyl bumper inserts and four rubber feet
- Black expanded aluminum bottom panel
- Uses most standard accessories

Note: For 24" panel opening width, change 19 to 24 in part number. (i.e. PDMTA3-19-18-PT becomes PDMTA3-24-18-PT)

For Size 29W, contact AMCO Direct for Pricing & Lead Times

Note: If handles are desired for PDMTA cabinets, add "-H" to the end of part number. Handles are optional at additional cost. Handle is not available on PDMTA3 cabinets. Handles cannot be ordered separately; they must be ordered with cabinet.

Frame Color Options

Pottery White 101-T	Light Blue 111-T	Silver 112-T	Gunmetal 113-T	Black 116-T	Pearl Gray 122-T	Pebble Gray 123-T	Light Beige 125-T	Cranberry 126-T	Medium Blue 816-T	Glacier White XCP-151T

Note: Add color number at end of rack part number (i.e. PDMTA3-19-18-PT becomes PDMTA3-19-18-PT-101-T)

Note: AMCO offers standard color choices (up to 2 per console) for no extra charge. Custom colors are available and quoted upon request.





Handles

Optional concealed handles are available for easy, ergonomic transport.



Bottom Panel

PDMTA cabinets come with black expanded aluminum bottom panels.



Rubber Feet

Protective vinyl bumper inserts and rubber feet come standard with PDMTA Cabinets.

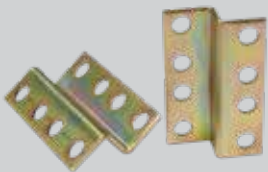


Frame

Cabinets utilize aluminum framing system with clear anodized aluminum radius styling.

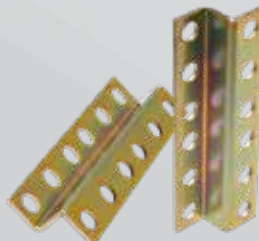
Note: Image above displays a custom powder coat finish.

PDMTA Mounting Accessories



IMB Brackets

IMBs are for a single accessory. They mount to the sides of the PDMTA "L" style internal mounting rail. There is one height of 2.16" and depth of 1.37". It features round holes for equipment mounting.



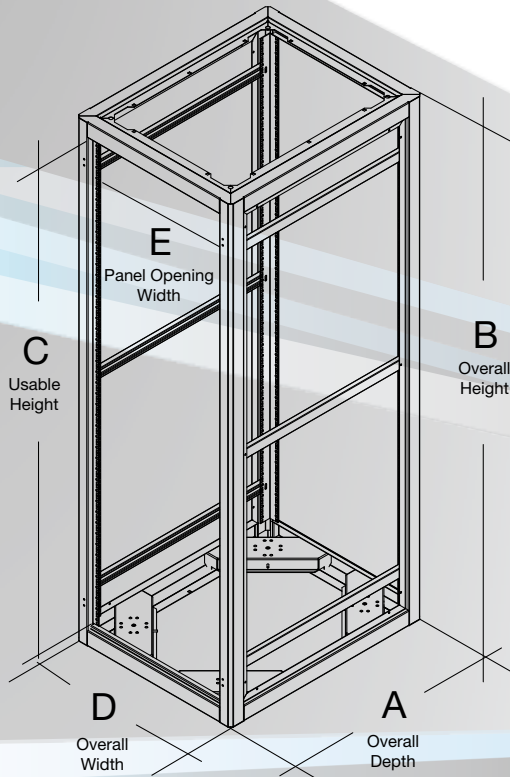
IMA Brackets

IMAs are used when multiple accessories are part of the design. They are available in all seven RU heights and have a depth of 1.37". IMA brackets feature round holes for equipment mounting.



Technical - Frame

TitanEP Frame Construction



- Four separate 14 GA. main channels provide a rugged frame assembly.
- Uni-strut horizontal channels are welded to vertical rails providing full depth equipment adjustments.
- 12 GA Caster brackets are welded into the corners of each frame. Each bracket includes a weld stud for grounding.

Add to overall height

- Heavy duty casters- 1.75"
- Light duty casters- 1"
- Leg levelers- .625"

Certifications & Testing

- EIA 310D Equipment Mounting
- Mil Std. 810E Vibration
- Mil Std. 901D Shock
- Certified Load Rating
Static: 5,400 lbs.
Dynamic: 3,300 lbs.

24" Width Frame (Material: 14 GA. CRS, Uni-strut: 14 GA. CRS)

RU Height	25.5" Depth (A)	30" Depth (A)	36" Depth (A)	Overall Height (B)	Usable Height (C)	Overall Width (D)	Panel Opening Width (E)
45	R-TN-45U24-255	R-TN-45U24-30	R-TN-45U24-36	85.12"	78.75"	24"	19.75"
40	R-TN-40U24-255	R-TN-40U24-30	R-TN-40U24-36	76.38"	70"	24"	19.75"
35	R-TN-35U24-255	R-TN-35U24-30	R-TN-35U24-36	67.63"	61.25"	24"	19.75"

Sizes Below Available - Contact AMCO Direct for Pricing & Lead Times

30	R-TN-30U24-255	R-TN-30U24-30	R-TN-30U24-36	58.88"	52.5"	24"	19.75"
24	R-TN-24U24-255	R-TN-24U24-30	R-TN-24U24-36	48.38"	42"	24"	19.75"
18	R-TN-18U24-255	R-TN-18U24-30	R-TN-18U24-36	37.88"	31.5"	24"	19.75"
12	R-TN-12U24-255	R-TN-12U24-30	R-TN-12U24-36	27.38"	21"	24"	19.75"

29" Width Frame (Material: 14 GA. CRS, Uni-strut: 14 GA. CRS)

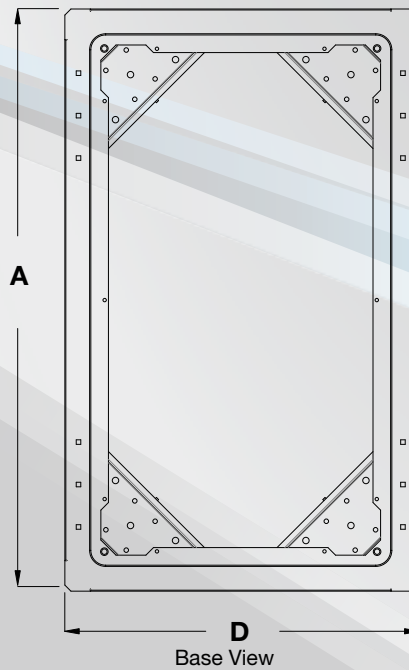
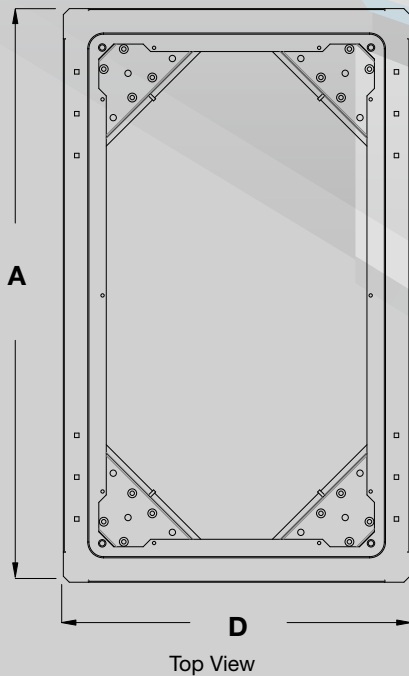
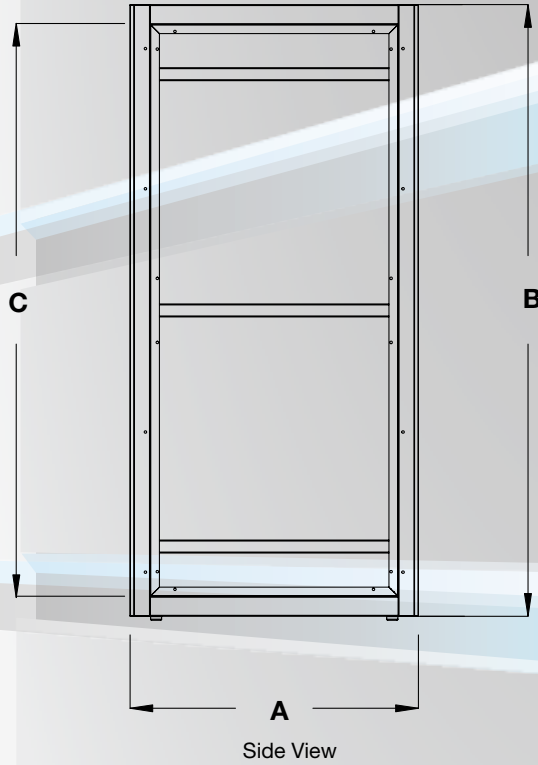
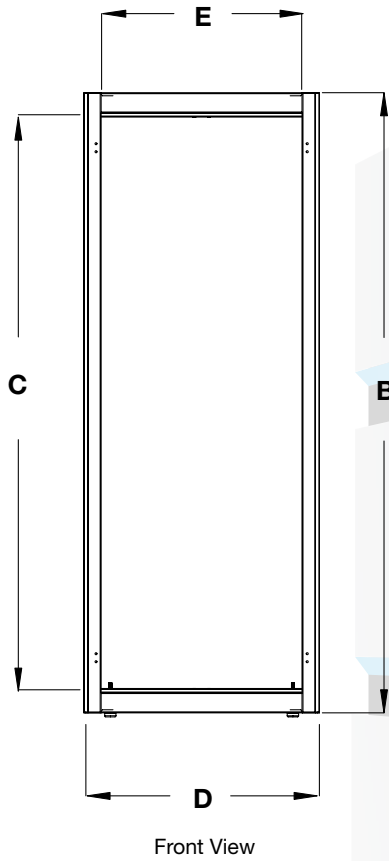
RU Height	25.5" Depth (A)	30" Depth (A)	36" Depth (A)	Overall Height (B)	Usable Height (C)	Overall Width (D)	Panel Opening Width (E)
45	R-TN-45U29-255	R-TN-45U29-30	R-TN-45U24-36	85.12"	78.75"	29"	24.75"
40	R-TN-40U29-255	R-TN-40U29-30	R-TN-40U24-36	76.38"	70"	29"	24.75"
35	R-TN-35U29-255	R-TN-35U29-30	R-TN-35U24-36	67.63"	61.25"	29"	24.75"

Sizes Below Available - Contact AMCO Direct for Pricing & Lead Times

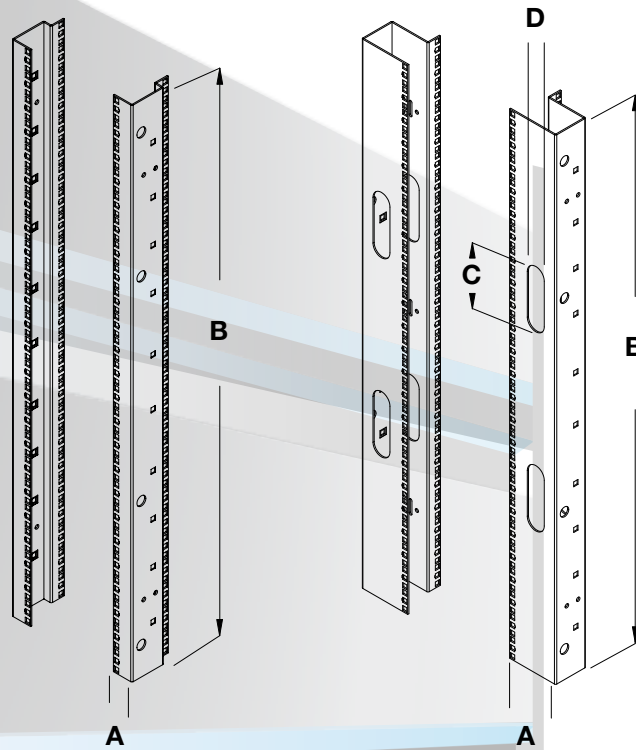
30	R-TN-30U29-255	R-TN-30U29-30	R-TN-30U24-36	58.88"	52.5"	29"	24.75"
24	R-TN-24U29-255	R-TN-24U29-30	R-TN-24U24-36	48.38"	42"	29"	24.75"
18	R-TN-18U29-255	R-TN-18U29-30	R-TN-18U24-36	37.88"	31.5"	29"	24.75"
12	R-TN-12U29-255	R-TN-12U29-30	R-TN-12U24-36	27.38"	21"	29"	24.75"



Technical - Frame



Technical - Mounting Channels



MCX Profile

MCW Profile Reducer

MCX Profile-M6 (Material: 12 GA. CRS)

RU Height	Part Number	Width (A)	Height (B)
45	MCX-TN-S-45U-PLT	1.56"	78.75"
40	MCX-TN-S-40U-PLT	1.56"	70"
35	MCX-TN-S-35U-PLT	1.56"	61.25"

Sizes Below Available - Contact AMCO Direct for Pricing & Lead Times

30	MCX-TN-S-30U-PLT	1.56"	52.5"
24	MCX-TN-S-24U-PLT	1.56"	42"
18	MCX-TN-S-18U-PLT	1.56"	31.5"
12	MCX-TN-S-12U-PLT	1.56"	21"

MCW Profile Reducer-M6 (Material: 12 GA. CRS)

RU Height	Part Number	Width (A)	Height (B)	Opening Height (C)	Opening Width (D)
45	MCW-TN-S-45U-PLT	4.1"	78.75"	5"	1.5"
40	MCW-TN-S-40U-PLT	4.1"	70"	5"	1.5"
35	MCW-TN-S-35U-PLT	4.1"	61.25"	5"	1.5"

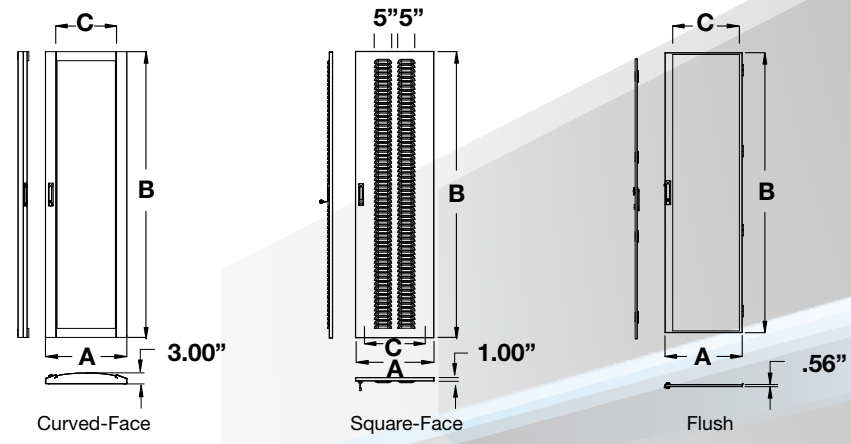
Sizes Below Available - Contact AMCO Direct for Pricing & Lead Times

30	MCW-TN-S-30U-PLT	4.1"	52.5"	5"	1.5"
24	MCW-TN-S-24U-PLT	4.1"	42"	5"	1.5"
18	MCW-TN-S-18U-PLT	4.1"	31.5"	5"	1.5"
12	MCW-TN-S-12U-PLT	4.1"	21"	5"	1.5"

Note: For #10-32 tapped holes, change S in part number to T. (i.e. MCX-TN-S-45U-PLT becomes MCX-TN-T-45U-PLT)



Technical - Doors



24" Width Curved-Face (Material: 18 GA. CRS)

RU Height	Polycarbonate	Solid	Vented	Width (A)	Height (B)	Panel Opening (C)
45	DPCFA-TN-45U24	DSCFA-TN-45U24	DVCFA-TN-45U24	22.56"	82.44"	16.21"
40	DPCFA-TN-40U24	DSCFA-TN-40U24	DVCFA-TN-40U24	22.56"	73.69"	16.21"
35	DPCFA-TN-35U24	DSCFA-TN-35U24	DVCFA-TN-35U24	22.56"	64.94"	16.21"

Note: For 29" width, change 24 to 29 in part number. (i.e. DPCFA-TN-45U24 becomes DPCFA-TN-45U29)

Sizes Below Available - Contact AMCO Direct for Pricing & Lead Times						
30	DPCFA-TN-30U24	DSCFA-TN-30U24	DVCFA-TN-30U24	22.56"	56.19"	16.21"
24	DPCFA-TN-24U24	DSCFA-TN-24U24	DVCFA-TN-24U24	22.56"	45.68"	16.21"
18	DPCFA-TN-18U24	DSCFA-TN-18U24	DVCFA-TN-18U24	22.56"	35.19"	16.21"
12	DPCFA-TN-12U24	DSCFA-TN-12U24	DVCFA-TN-12U24	22.56"	24.69"	16.21"

Also add 5" to all 24" width (A) and panel opening (C).

24" Width Square-Face (Material: 18 GA. CRS)

RU Height	Polycarbonate	Solid	Vented	Louvered	Width (A)	Height (B)	Panel Opening (C)
45	DPFA-TN-45U24	DSFA-TN-45U24	DVFA-TN-45U24	DLFA-TN-45U24	22.56"	82.44"	14.04"
40	DPFA-TN-40U24	DSFA-TN-40U24	DVFA-TN-40U24	DLFA-TN-40U24	22.56"	73.69"	14.04"
35	DPFA-TN-35U24	DSFA-TN-35U24	DVFA-TN-35U24	DLFA-TN-35U24	22.56"	64.94"	14.04"

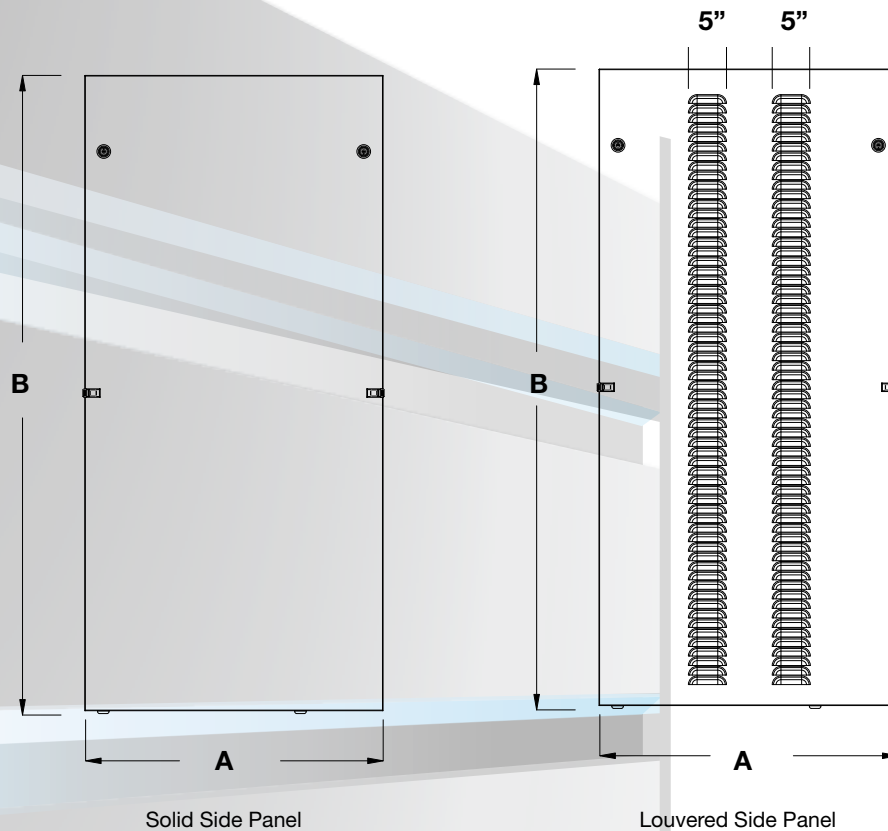
Sizes Below Available - Contact AMCO Direct for Pricing & Lead Times							
30	DPFA-TN-30U24	DSFA-TN-30U24	DVFA-TN-30U24	DLFA-TN-30U24	22.56"	56.19"	14.04"
24	DPFA-TN-24U24	DSFA-TN-24U24	DVFA-TN-24U24	DLFA-TN-24U24	22.56"	45.68"	14.04"
18	DPFA-TN-18U24	DSFA-TN-18U24	DVFA-TN-18U24	DLFA-TN-18U24	22.56"	35.19"	14.04"
12	DPFA-TN-12U24	DSFA-TN-12U24	DVFA-TN-12U24	DLFA-TN-12U24	22.56"	24.69"	14.04"

24" Width Flush (Material: 18 GA. CRS)

RU Height	Polycarbonate	Solid	Vented	Louvered	Width (A)	Height (B)	Panel Opening (C)
45	DPFL-TN-45U24	DSFL-TN-45U24	DVFL-TN-45U24	DLFL-TN-45U24	19.53"	79.87"	14.04"
40	DPFL-TN-40U24	DSFL-TN-40U24	DVFL-TN-40U24	DLFL-TN-40U24	19.53"	71.12"	14.04"
35	DPFL-TN-35U24	DSFL-TN-35U24	DVFL-TN-35U24	DLFL-TN-35U24	19.53"	62.37"	14.04"

Sizes Below Available - Contact AMCO Direct for Pricing & Lead Times							
30	DPFL-TN-30U24	DSFL-TN-30U24	DVFL-TN-30U24	DLFL-TN-30U24	19.53"	53.62"	14.04"
24	DPFL-TN-24U24	DSFL-TN-24U24	DVFL-TN-24U24	DLFL-TN-24U24	19.53"	43.12"	14.04"
18	DPFL-TN-18U24	DSFL-TN-18U24	DVFL-TN-18U24	DLFL-TN-18U24	19.53"	32.62"	14.04"
12	DPFL-TN-12U24	DSFL-TN-12U24	DVFL-TN-12U24	DLFL-TN-12U24	19.53"	22.12"	14.04"

Technical - Side Panels



Solid Side Panel (Material: 18 GA. CRS)

RU Height	25.5" Depth (A 20.29")	30" Depth (A 24.79")	36" Depth (A 30.79")	Overall Height (B)
45	SPS-TN-45U25	SPS-TN-45U30	SPS-TN-45U36	80"
40	SPS-TN-40U25	SPS-TN-40U30	SPS-TN-40U36	71.25"
35	SPS-TN-35U25	SPS-TN-35U30	SPS-TN-35U36	62.5"

Sizes Below Available - Contact AMCO Direct for Pricing & Lead Times

30	SPS-TN-30U25	SPS-TN-30U30	SPS-TN-30U36	53.75"
24	SPS-TN-24U25	SPS-TN-24U30	SPS-TN-24U36	43.25"
18	SPS-TN-18U25	SPS-TN-18U30	SPS-TN-18U36	32.75"
12	SPS-TN-12U25	SPS-TN-12U30	SPS-TN-12U36	22.25"

Louvered Side Panel (Material: 18 GA. CRS)

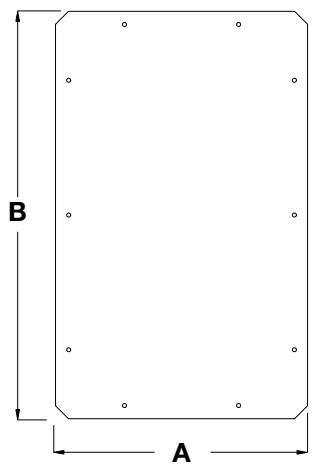
RU Height	25.5" Depth (A 20.29")	30" Depth (A 24.79")	36" Depth (A 30.79")	Overall Height (B)
45	SPL-TN-45U25	SPL-TN-45U30	SPL-TN-45U36	80"
40	SPL-TN-40U25	SPL-TN-40U30	SPL-TN-40U36	71.25"
35	SPL-TN-35U25	SPL-TN-35U30	SPL-TN-35U36	62.5"

Sizes Below Available - Contact AMCO Direct for Pricing & Lead Times

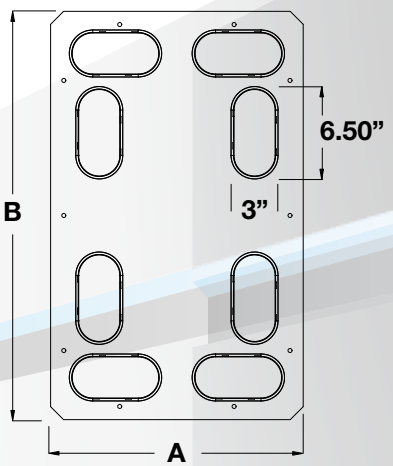
30	SPL-TN-30U25	SPL-TN-30U30	SPL-TN-30U36	53.75"
24	SPL-TN-24U25	SPL-TN-24U30	SPL-TN-24U36	43.25"
18	SPL-TN-18U25	SPL-TN-18U30	SPL-TN-18U36	32.75"
12	SPL-TN-12U25	SPL-TN-12U30	SPL-TN-12U36	22.25"



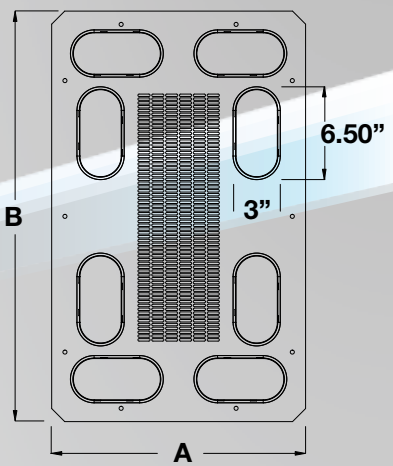
Technical - Top Panels



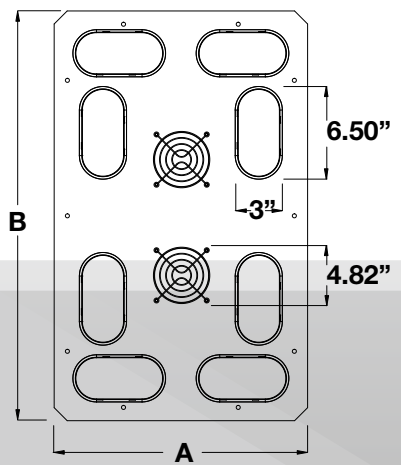
Solid w/o Cable Egress Ports



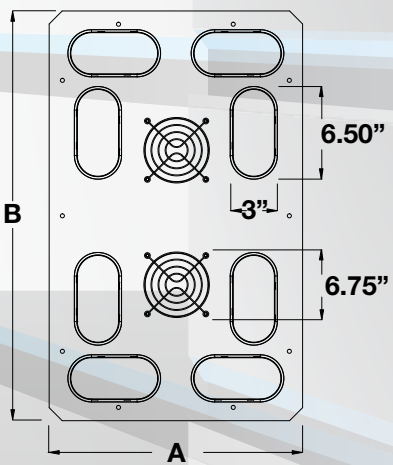
Solid



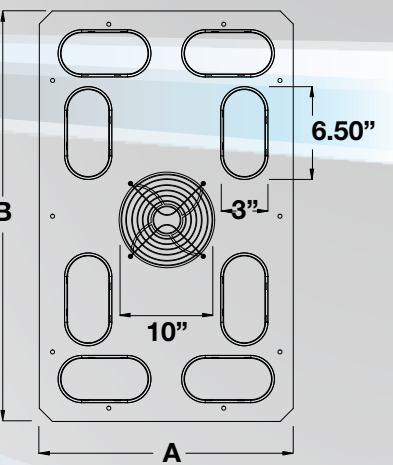
Vented



BTA4 Fan



BTA6 Fan



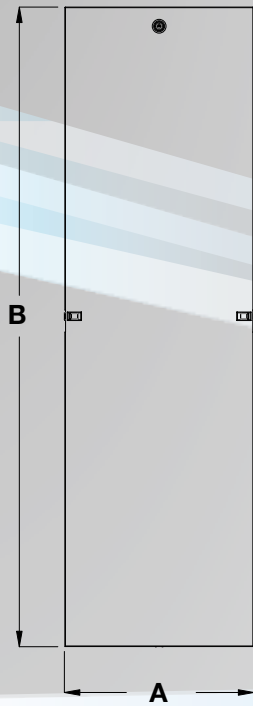
BTA10 Fan

24" Width Top Panels (Material: 16 GA. CRS)

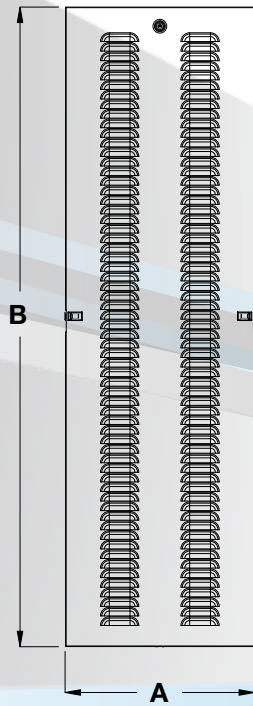
Solid w/o Cable Egress Ports	Solid	Vented	BTA4 Fan	BTA6 Fan	BTA10 Fan	Width (A)	Depth (B)
TP-TN-2436	TP-AFS-24-36	TP-AFV-24-36	TP-AFG-24-36	TPF6-TN-2436	TPF10-TN-2436	19.46"	31.47"
TP-TN-2430	TP-AFS-24-30	TP-AFV-24-30	TP-AFG-24-30	TPF6-TN-2430	TPF10-TN-2430	19.46"	25.47"
TP-TN-2425	TP-AFS-24-255	TP-AFV-24-255	TP-AFG-24-255	TPF6-TN-2425	TPF10-TN-2425	19.46"	20.97"

Note: For 29" width, change 24 to 29 in part number. (i.e. TPS-TN-2436 becomes TPS-TN-2936) Also add 5.00" to Width (A).

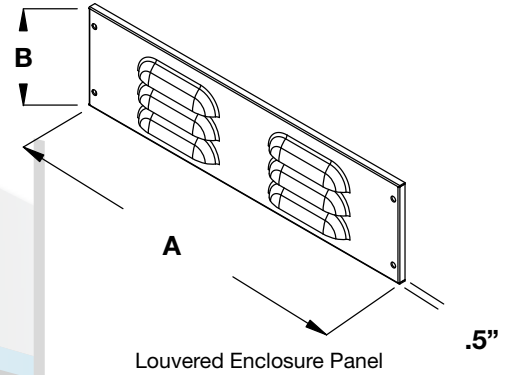
Technical - Enclosure Panels



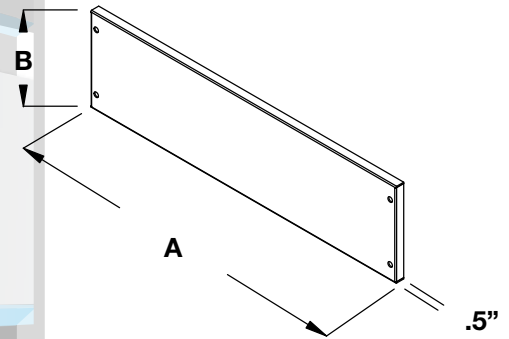
Solid Full-Length Enclosure Panel



Louvered Full-Length Enclosure Panel



Louvered Enclosure Panel



Solid Enclosure Panel

24" Width Full-Length Enclosure Panel (Material: 16 GA. CRS)

RU Height	Solid	Louvered	Overall Width (A)	Overall Height (B)
45	RPS-TN-45U24	RPL-TN-45U24	19.63"	80"
40	RPS-TN-40U24	RPL-TN-40U24	19.63"	71.25"
35	RPS-TN-35U24	RPL-TN-35U24	19.63"	62.5"

Sizes Below Available - Contact AMCO Direct for Pricing & Lead Times

30	RPS-TN-30U24	RPL-TN-30U24	19.63"	53.75"
24	RPS-TN-24U24	RPL-TN-24U24	19.63"	43.25"
18	RPS-TN-18U24	RPL-TN-18U24	19.63"	32.75"
12	RPS-TN-12U24	RPL-TN-12U24	19.63"	22.25"

Note: For 29" width, change 24 to 29 in part number. (i.e. RPS-TN-45U24 becomes RPS-TN-45U29) Also add 5.00" to Overall Width (A).

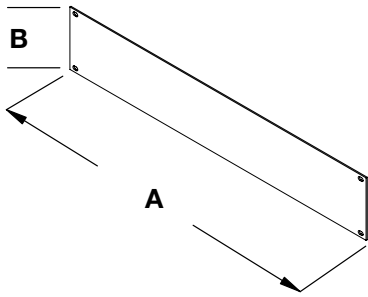
24" Width Enclosure Panel (Material: 16 GA. CRS)

RU Height	Solid	Louvered	Width (A)	Height (B)
6	EPS-TN-6U24	EPL-TN-6U24	19.00"	10.5"
5	EPS-TN-5U24	EPL-TN-5U24	19.00"	8.75"
4	EPS-TN-4U24	EPL-TN-4U24	19.00"	7.00"
3	EPS-TN-3U24	EPL-TN-3U24	19.00"	5.25"
2	EPS-TN-2U24	EPL-TN-2U24	19.00"	3.5"
1	EPS-TN-1U24	EPL-TN-1U24	19.00"	1.75"

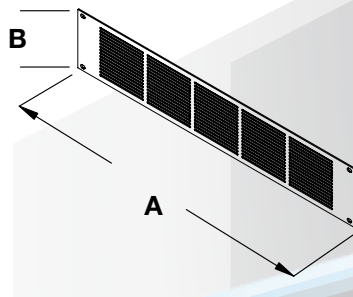
Note: For 29" width, change 24 to 29 in part number. (i.e. EPS-TN-6U24 becomes EPS-TN-6U29) Also add 5.00" to Width (A).



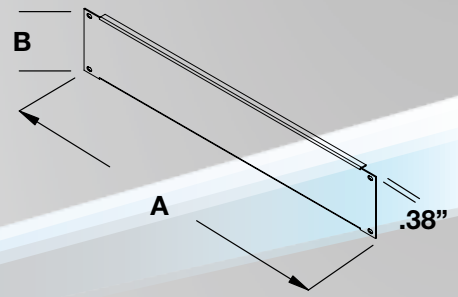
Blanking Panels & Base Plates



Solid Blanking Panel



Vented Blanking Panel



Formed Blanking Panel

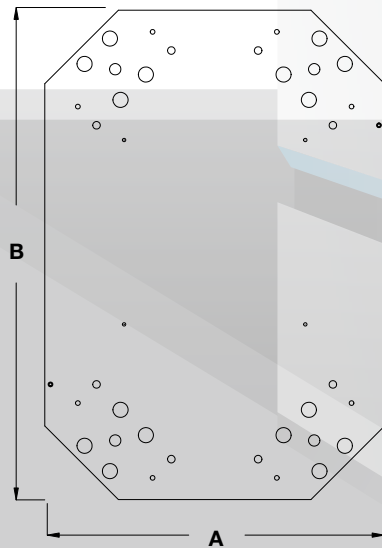
Blanking Panels (Material: 14 GA. CRS)

RU Height	Solid	Vented	Width (A)	Overall Height (B)
1	UA-BPS1	UA-BPHS1	19	1.72
2	UA-BPS2	UA-BPHS2	19	3.47
3	UA-BPS3	UA-BPHS3	19	5.22
4	UA-BPS4	UA-BPHS4	19	6.97
5	UA-BPS5	UA-BPHS5	19	8.72

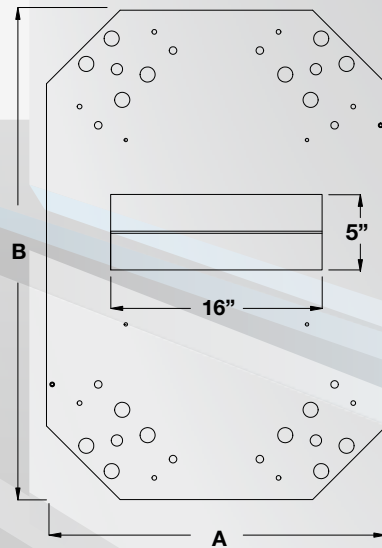
Note: For 29" width, please contact your sales representative.

Formed Blanking Panels (Material: 0.62 Aluminum)

RU Height	Formed	Width (A)	Overall Height (B)
1	FBP1	19	1.72
2	FBP2	19	3.47
3	FBP3	19	5.22
4	FBP4	19	6.97
5	FBP5	19	8.72
6	FBP6	19	10.47



Solid Base Plate



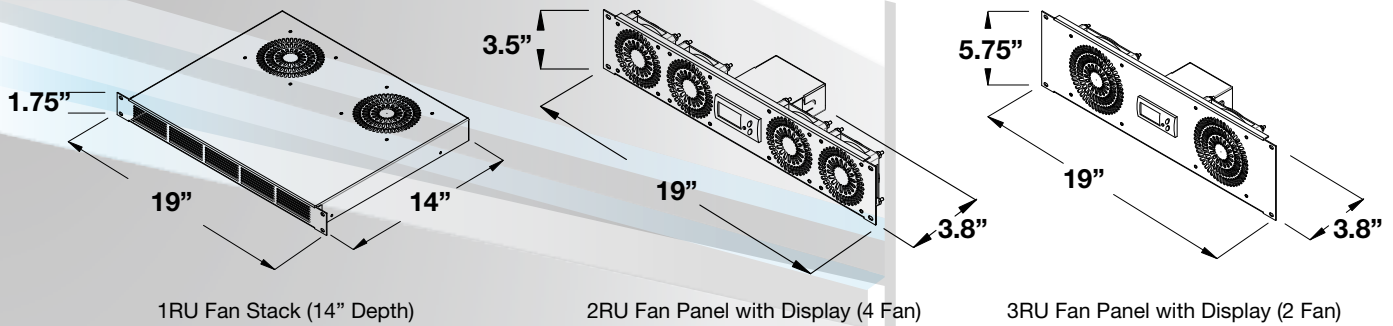
Base Plate With Brush Strip

24" Width Base Plates (Material: 14 GA. CRS)

Solid	Brush Strip	Overall Width (A)	Overall Depth (B)
BPS-TN-2436	BPBS-TN-2436	22.5"	33.00"
BPS-TN-2430	BPBS-TN-2430	22.5"	27.00"
BPS-TN-2425	BPBS-TN-2425	22.5"	22.5"

Note: For 29" width, change 24 to 29 in part number. (i.e. BPS-TN-2436 becomes BPS-TN-2936) Also add 5.00" to Overall Width (A).

Technical - Cooling



Fan Stack

Part Number	CFM (total)	DB	Voltage	# of Fans	Fan Dia.	Depth
UA-FS1-S8	120	27	115	2	4.75"	8"
UA-FS1-S14	120	27	115	2	4.75"	14"

Fan Panel with Display

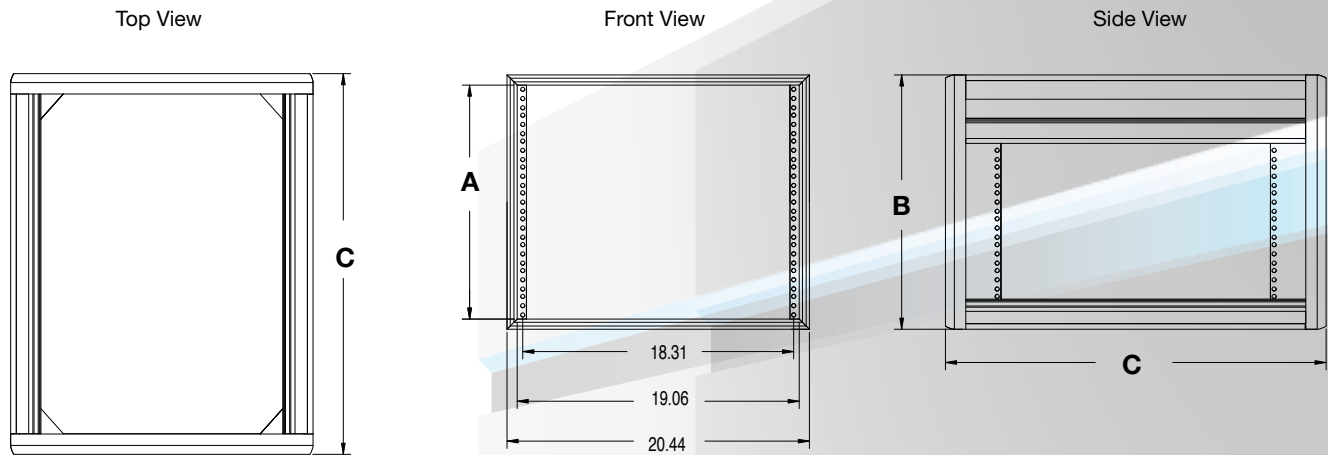
Part Number	CFM (total)	DB	Voltage	# of Fans	Fan Dia.	Rack Height
UA-QFD2-2	50	28	115	2	3"	2RU
UA-QFD2-4	100	28	115	4	3"	2RU
UA-QFD3-2	120	27	115	2	4.75"	3RU

Fan Panel

Part Number	CFM (total)	DB	Voltage	# of Fans	Fan Dia.	Rack Height
UA-QF2-2	50	28	115	2	3"	2RU
UA-QF2-4	100	28	115	4	3"	2RU
UA-QF3-2	120	27	115	2	4.75"	3RU



Technical - PDMTA Cabinets



Frame Material: Clear anodized aluminum

Side Panel Material: 18 GA. CRS

Mounting Channel Material: Punched 14 GA. CRS

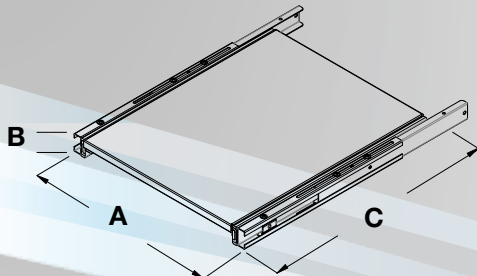
Note: 19" panel opening width, overall width is 20.44". For 24" panel opening width, overall width is 25.44".

19" Width PDMTA Desktop Cabinets

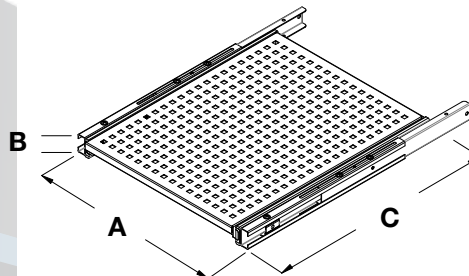
RU Height	Part Number	Panel Height (A)	Overall Height (B)	Cabinet Depth (C)
12	PDMTA21-19-25-PT	21.00"	22.43"	25.75"
12	PDMTA21-19-18-PT	21.00"	22.43"	18.5"
10	PDMTA17-19-25-PT	17.5"	18.93"	25.75"
10	PDMTA17-19-18-PT	17.5"	18.93"	18.5"
8	PDMTA14-19-25-PT	14.00"	15.43"	25.75"
8	PDMTA14-19-18-PT	14.00"	15.43"	18.5"
6	PDMTA10-19-25-PT	10.5"	11.93"	25.75"
6	PDMTA10-19-18-PT	10.5"	11.93"	18.5"
4	PDMTA7-19-25-PT	7.00"	8.43"	25.75"
4	PDMTA7-19-18-PT	7.00"	8.43"	18.5"
3	PDMTA5-19-25-PT	5.25"	6.68"	25.75"
3	PDMTA5-19-18-PT	5.25"	6.68"	18.5"
2	PDMTA3-19-25-PT	3.5"	4.93"	25.75"
2	PDMTA3-19-18-PT	3.5"	4.93"	18.5"

Note: For 24" panel opening width, change 19 to 24 in part number. (i.e. PDMTA3-19-18-PT becomes PDMTA3-24-18-PT)

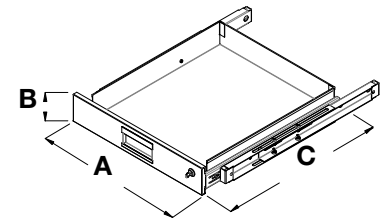
Technical - Accessories



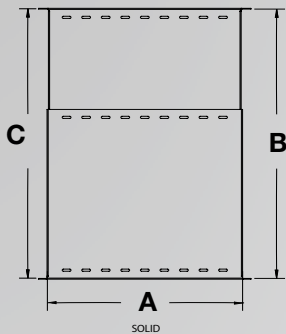
Shelf - Solid Retractable



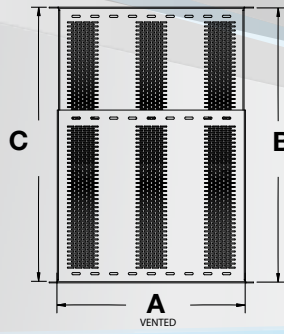
Shelf - Vented Retractable



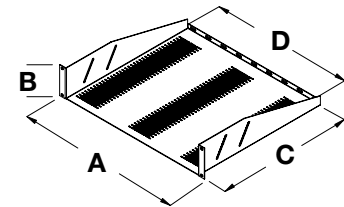
Heavy Duty Drawer



Heavy Duty Adjustable Shelf - Solid



Heavy Duty Adjustable Shelf - Vented



Light Duty Shelf Vented

Heavy Duty Drawer (Material: 14 GA. CRS)

Part Number	RU Height	Overall Width (A)	Height (B)	Depth (C)
DR-TN-4U24-20	4	18.93"	7"	20.5"
DR-TN-2U24-20	2	18.93"	3.5"	20.5"

Heavy Duty Retractable Shelves - Solid/Vented (Material: 14 GA. CRS)

Solid	Vented	Width (A)	Overall Height (B)	Depth (C)
SHRS-TN-1U24	SHRV-TN-1U24	16.81"	1.75"	22"
SHRS-TN-1U29	SHRV-TN-1U29	21.81"	1.75"	22"

24" Width Heavy Duty Adjustable Shelves - Solid/Vented (Material: 14 GA. CRS)

Solid	Vented	Width (A)	Height (B)	Depth (C)
UA-SHAS-2540-24	UA-SHAV-2540-24	17.6"	1.75"	25" - 40"
UA-SHAS-1725-24	UA-SHAV-1725-24	17.6"	1.75"	17" - 25"

Note: For 29" width, change 24 to 29 in part number. (i.e. UA-SHAS-1724-**24** becomes UA-SHAS-1724-**29**) Also add 5.00" to Width.

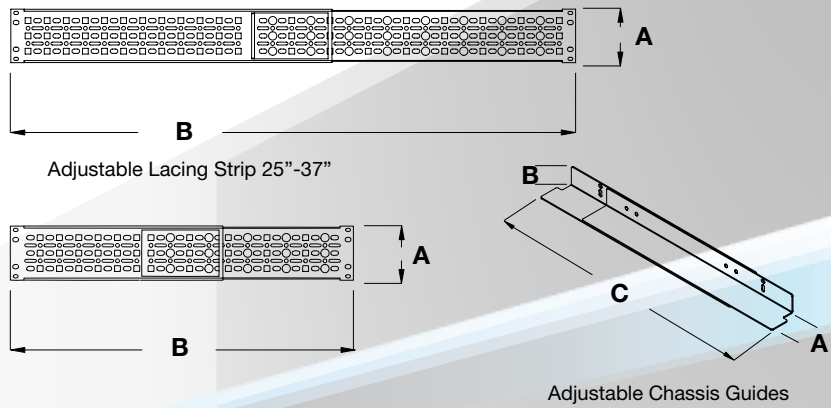
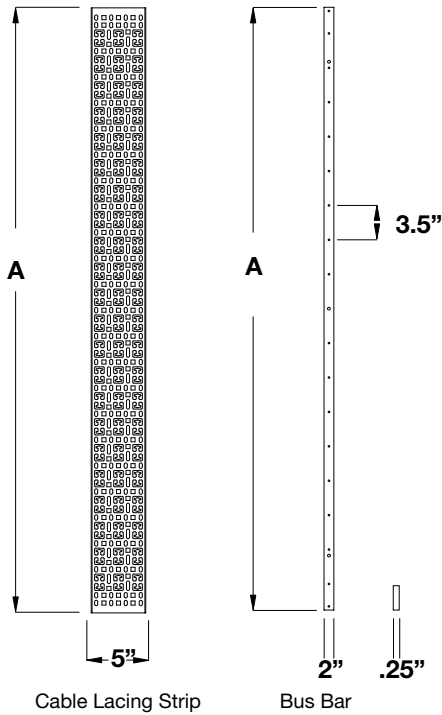
Light Duty Shelf Vented (Material: 16 GA. CRS)

Vented	Width (A)	Height (B)	Depth (C)	Usable Width (D)
UA-SH5	19.00"	8.75"	16.08"	17.375"
UA-SH4	19.00"	7.00"	16.08"	17.375"
UA-SH3	19.00"	5.25"	16.08"	17.375"
UA-SH2	19.00"	3.50"	16.08"	17.375"
UA-SH1	19.00"	1.75"	16.08"	17.375"

Note: For 24" width frames only



Technical - Accessories



Bus Bar (Material: 14 GA. CRS)

Part Number	RU Height	Overall Height (A)	Standard Holes	Mounting Holes
BB-TN-45	45	78.81"	20	3
BB-TN-40	40	70"	20	3
BB-TN-35	35	61.32"	18	3

Sizes Below Available - Contact AMCO Direct for Pricing & Lead Times				
BB-TN-30	30	52.56"	16	3
BB-TN-24	24	40"	13	2
BB-TN-18	18	31.56"	11	2
BB-TN-12	12	20"	7	2

5" Width Cable Lacing Strip (Material: 14 GA. CRS)

RU Height	5" Width	Height (A)
45	CLS-45U-5	76.06"
40	CLS-40U-5	67.31"
35	CLS-35U-5	58.56"

Sizes Below Available - Contact AMCO Direct for Pricing & Lead Times		
30	CLS-30U-5	49.81"
24	CLS-24U-5	39.31"
18	CLS-18U-5	28.81"
12	CLS-12U-5	18.31"

Adjustable Lacing Strip 14"-21" (Material: 12 GA. CRS)

Part Number	RU Height	Overall Width (A)	Depth (B)
UA-LBA-1421-2U	2	3.5"	14"-21"
UA-LBA-1421	1	1.75"	14"-21"

Adjustable Lacing Strip 25"-37" (Material: 12 GA. CRS)

Part Number	RU Height	Overall Width (A)	Depth (B)
UA-LBA-2537-2U	2	3.5"	25"-37"
UA-LBA-2537	1	1.75"	25"-37"

Adjustable Chassis Guides

Part Number	Width (A)	Height (B)	Depth (C)
CHGA-TN-2536	3"	1.75"	25"-33.75"

Now Available



WMR Wall Mount Rack

The WMR wall mount rack has been designed as a cost effective smaller system solution for mounting electronic equipment in secured and non-secured areas. The WMR features fully welded construction and has a load rating of 250 lbs. The WMR is 24" wide and available in depths of 17", 22" and 28", with RU height options of 12 and 18. The reversible front doors are available in solid, vented and polycarbonate. All doors feature a keyed lock for secured access. The back panel has cutouts to accommodate electrical outlets and knockouts in the top and bottom for conduit and cabling. Two pair of fully adjustable mounting rails are included. Available in black, other colors available upon request.

Note: Unit mounts to wall as right hand hinged, left hand option is available upon request.

WMR Fan Panel Kit



Fan Panel Kit
WMR-FK

The fan kit includes two 115V AC fans, with a 4" diameter that deliver 60 CFM at 27db each. The fan kit also includes fan guards, a 5' power cord with ground, and mounting hardware.

Solid Door

RU Height	Overall Height	17" Depth*	22" Depth*	28" Depth*
12RU	24.25"	WMRS-12U17-V	WMRS-17U22-V	WMRS-12U28-V
18RU	34.75"	WMRS-18U17-V	WMRS-18U22-V	WMRS-18U28-V

Polycarbonate Door

RU Height	Overall Height	17" Depth*	22" Depth*	28" Depth*
12RU	24.25"	WMP-12U17-V	WMP-12U22-V	WMP-12U28-V
18RU	34.75"	WMP-18U17-V	WMP-18U22-V	WMP-18U28-V

Vented Door

RU Height	Overall Height	17" Depth*	22" Depth*	28" Depth*
12RU	24.25"	WMRV-12U17-V	WMRV-12U22-V	WMRV-12U28-V
18RU	34.75"	WMRV-18U17-V	WMRV-18U22-V	WMRV-18U28-V

Note: WMR is also available in a Solid non-vented model. For Solid model, change "-V" to "-S" at the end of the part number. (i.e. WMRS-12U19-V becomes WMRS-12U19-S). Overall depth includes the door.

**Front door adds 2" to overall depth dimension.*



Other AMCO Products

AMCO Offers Many Solutions

AMCO has developed a line of racks for the Data, AV and security industries that can meet almost any of your design requirements. All AMCO racks are certified to EIA310D.

TitanDT

TitanDT has the highest static and dynamic load ratings in its class. It pairs a sleek aesthetic with an efficient design. AMCO racks are modular and can be expanded and configured to meet current and future needs.

Seismic Racks

Zone 4 certified racks are available in a variety of standard heights, widths and depths to meet NEBS GR-63-CORE specifications for seismic events.

Shielded Racks

RFI racks limit radiated emissions and are certified to MIL STD 285 for higher-level shielding requirements.

Shielded racks are available in a variety of standard heights, widths and depths.

TN Series

AMCO has developed a line of commercial racks for electronics packaging, security and AV. These racks have a full range of heights, widths and depths for a variety of applications including: media closets, security and general electronics packaging.

Custom Designs

AMCO recognizes the need to build rack systems for customers that are not commercially available. We create specialized designs for customers that require standard rack products. Contact us today at 847-391-8100 for more information.



TN Series

TitanDT Series

Seismic Racks

Shielded Racks



Warranty & Policies

A. Choice of Method of Shipment

Unless otherwise specified, AMCO Enclosures are shipped as individual modules per ISTA packaging certification with single width components assembled on the frame. Upon request, console arrangements will be completely assembled at the factory and shipped like furniture, via van, at no additional charge for assembly. Console arrangements may also be crated for shipment. Crating charges will be quoted for each such order, as console arrangements vary.

B. Design Changes

To allow continued progress, improvement, and adaptability in an advancing industry, AMCO Enclosures reserves the right to make product changes as deemed necessary.

C. Price Discounts

Purchase orders cannot be combined for discount advantages.

D. Proprietary Rights

The catalog and drawings contain information deemed proprietary to AMCO Enclosures and are to be used only for the purposes for which they are submitted and, further, shall not be copied in whole or in part without the prior written consent of AMCO Enclosures.

E. Cancellation & Return

Cancellation and return charges begin at 40% with a minimum of \$50.00, depending on the nature of the order and the extent to which it has been processed. All returns have a 30-day, upon receipt, time limit. Returns must be freight prepaid and not made without the prior written approval of AMCO Enclosures.

F. Terms

All quotations, order confirmations, published prices, and discounts based on delivery F.O.B. AMCO Enclosures, 1 Innovation Drive, Des Plaines, IL freight collect. Invoice payment terms-net 30 days.

G. Sales Representation

Experienced factory sales representatives in all principle cities of the U.S.A., Canada and Mexico. Ask for sales representative listing. AMCO Enclosures equipment is thoroughly inspected prior to shipment. No returns of damaged equipment will be accepted without prior written approval of AMCO Enclosures.



Designed and
Manufactured in the USA

IMS Engineered Products is

ISO9001 Certified

Limited Warranty

AMCO Enclosures will repair or replace enclosures, accessories, and components manufactured by AMCO Enclosures that are proven to be defective in material or factory workmanship under normal use during the Period of this Warranty.

Warranty Period

Ten years from date of purchase. (Non-transferable)

This warranty does not cover:

- Failure in whole or part resulting from misuse, alteration, excessive temperature, excessive humidity, corrosive environment, or lack of maintenance.
- Any materials or components used or manufactured pursuant to the purchaser's specifications.
- Items ordered in error or not required.

Power/Accessories

Warranty as specified by manufacturer.

Warranty Repair

Purchaser shall obtain controlled authorization number before returning any items alleged to be defective to AMCO Enclosures.

Inspection

AMCO Enclosures shall have the right to inspect any and all allegedly defective items on-site at purchaser's convenience.

Disclaimer of Consequential Damages and Limitations of Implied Warranty

AMCO Enclosures disclaims any responsibility for loss of time or use of parts or equipment wherein AMCO Enclosures, components, or accessories are used, transportation or any other incidental or consequential damage; and any implied Warranties including the implied Warranty of merchantability and fitness for intended use are limited to the duration of this written warranty.



AMCOTM
ENCLOSURES
an IMS Engineered Products Brand

1 Innovation Drive
Des Plaines, IL 60016
www.amcoenclosures.com
847-391-8100

110119