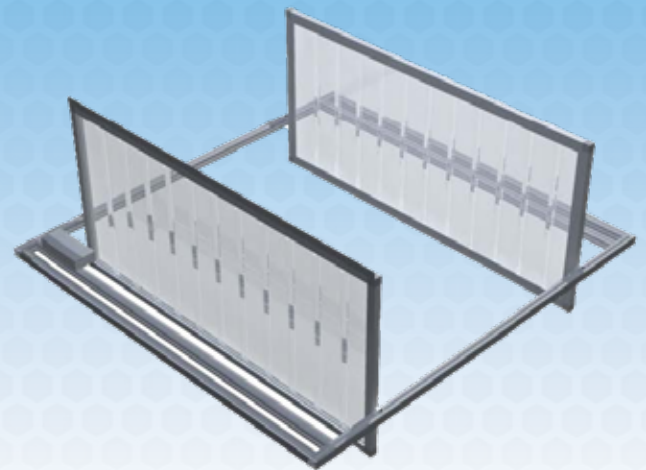
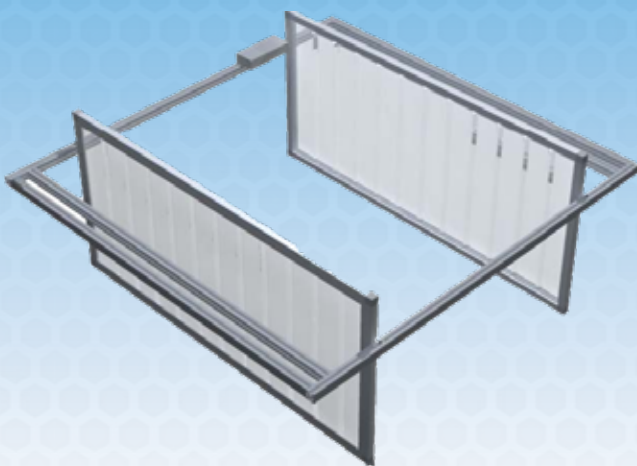
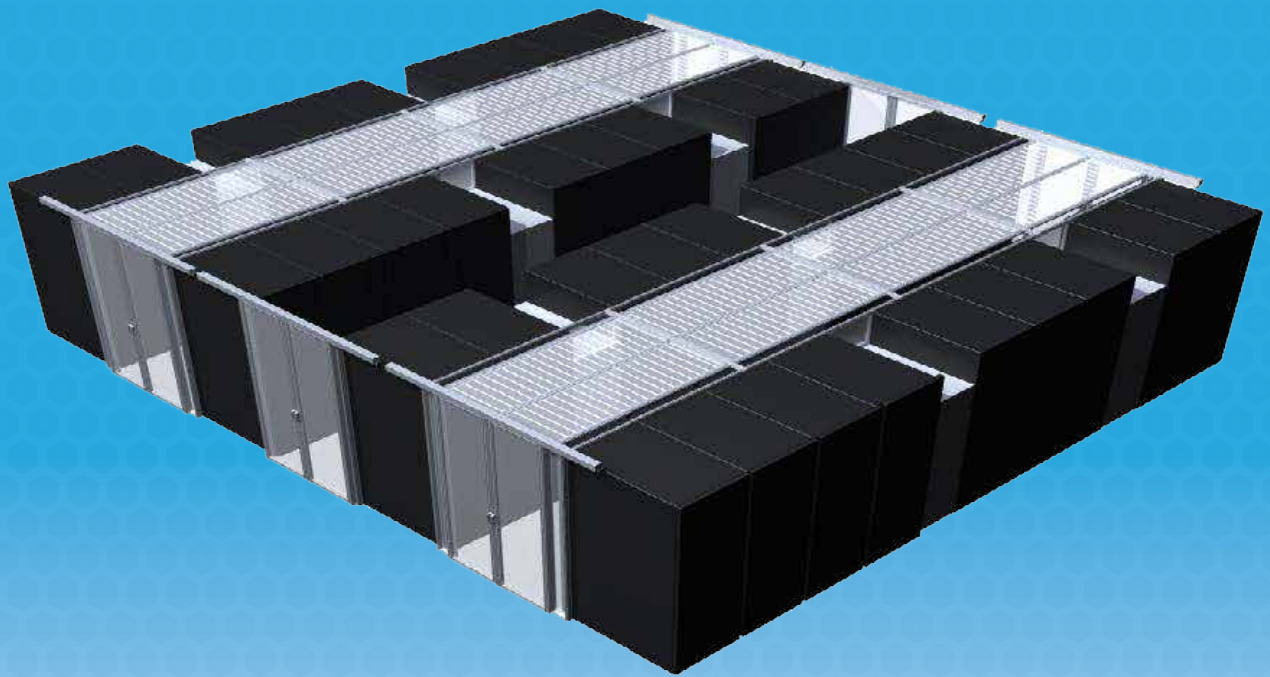


Mechanical Ceiling



Standard Features

- Connects to fire suppression system
- Can be configured to open upwards or downwards
- Clear translucent panels are heat activated for redundancy
- Approved for use under fire suppression systems
- Installation track and hardware

Door Options

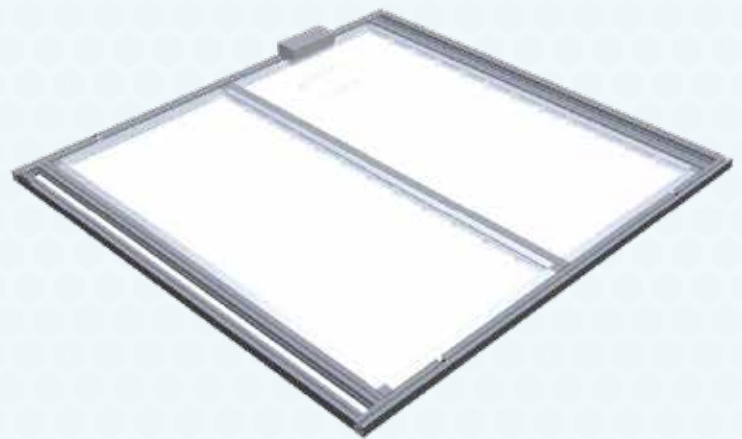
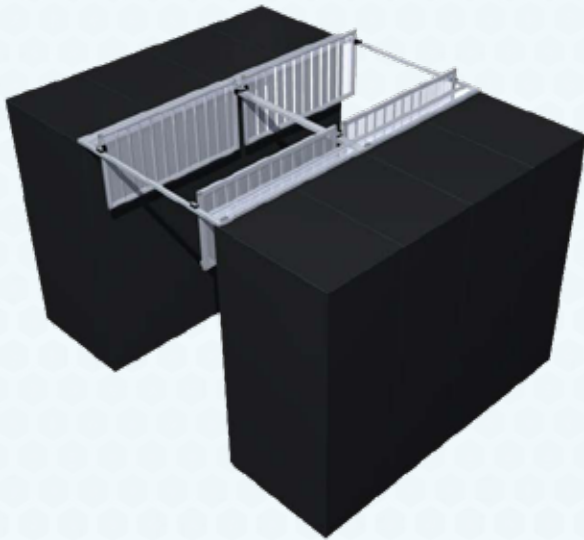
- Black/Clear anodize finish
- Custom powder coat finish
- Leveling kits for uneven cabinets



Technical Data: Mechanical Ceiling

Standard Specifications

Size		Frame	
Width	Up to 64"	Material	6560 T-6 Temper Aluminum
Length	Up to 53"	Tensile Strength	30,000 psi
Profile Height	2 1/2"	Paneling	
Control Box	1 per aisle for full activation. Multiple needed for individual activation.	Material	6560 T-6 Temper Aluminum
		15 mil Clear Polyvinyl Chloride	30,000 psi
		Color	Clear
Fire suppression panel/actuation system	One relay contact required at suppression/activation panel.	Smoke Deviation ASTM E84	125 Test Result
		Flame Spread ASTM E84	15 Test Result
		UL-R4036 and FM-4651 rated for use under 165 degree F. fire suppression systems	



Measuring for Mechanical Ceiling

Measurements Needed

- Total Aisle length
- Aisle width (Use widest point as measurement)
- Height of all cabinets, in-row cooling units or UPS systems in row (Leveling kits and Rigid Walls can be used to create even rows).
- Ceiling can overlap 1" to 6" onto top of cabinets.
- Check for any obstructions above the cabinets around the inside edge of aisle.

