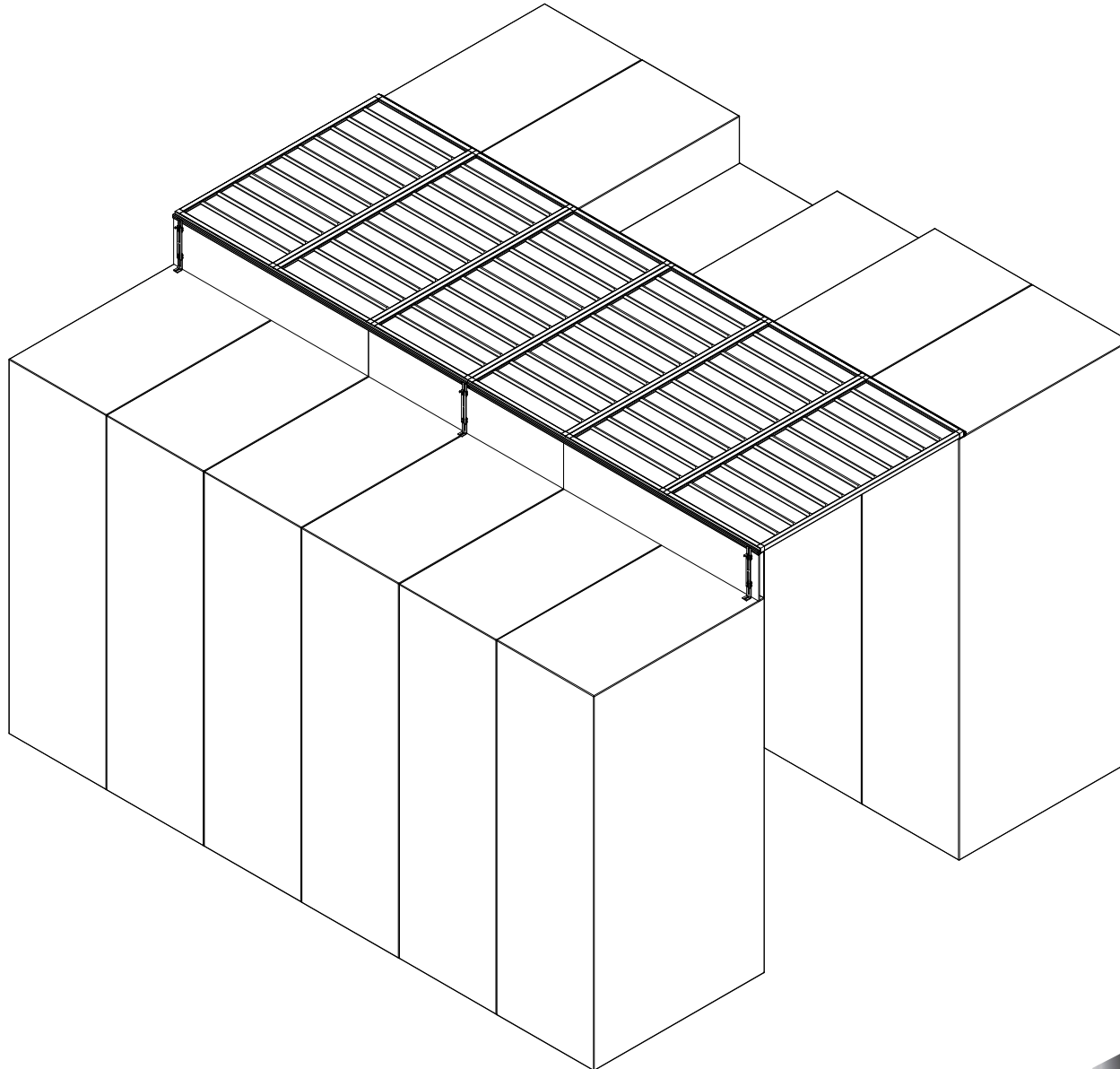


Leveling Kit Installation Instructions



Safety & Handling

When unpacking the leveling kits and components, be careful not to scratch the Ceiling Panels and aluminum. They have been carefully packaged and inspected before crating. Inspect all components and be sure all required hardware is included for assembly.

Use only the proper and recommended tools for all assembly procedures and use caution working around the cabinets.

Tools List

$\frac{5}{16}$ " Hex Nut Driver Bit

Rubber Mallet

$\frac{5}{32}$ " T-Handle Hex Wrench

Utility Knife or Industrial Scissors

Extension Cord

4' Level

Step Ladder

4' Straight Edge

Hammer

Tape Measure

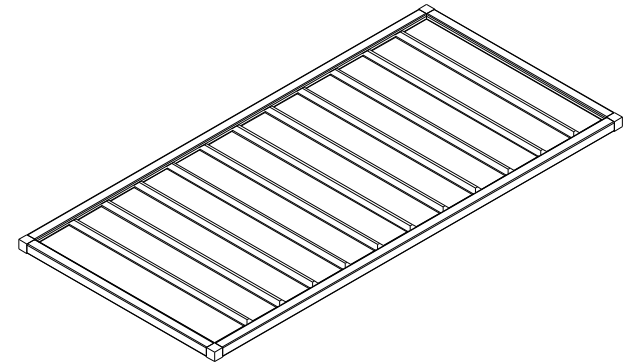
#2 Phillips Bit



Support Bracket
(adjustable)



Velcro



Ceiling Panels



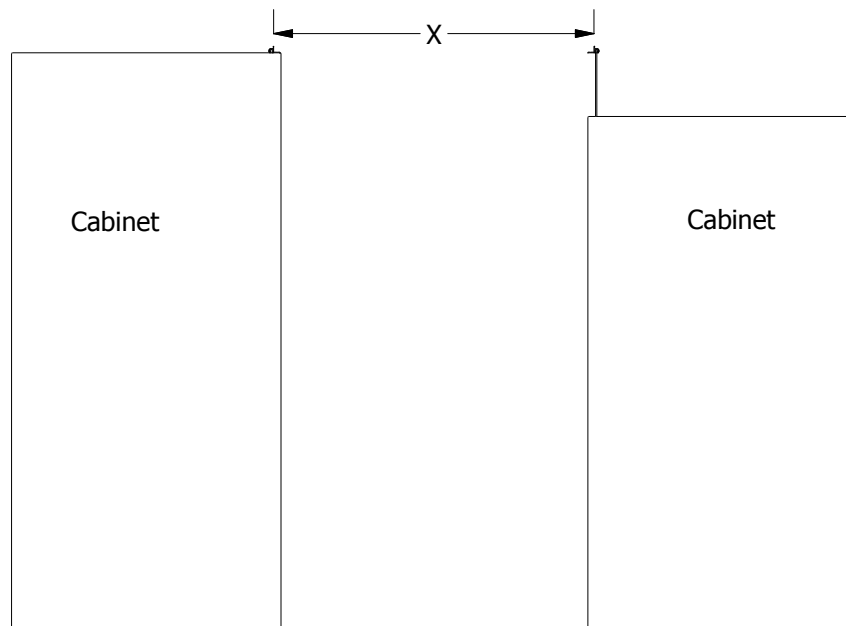
Ceiling Guide Track



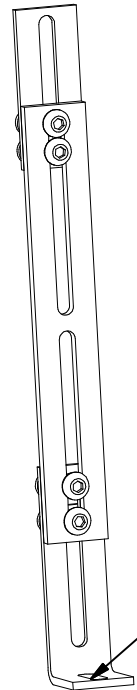
Twinwall

General Installation Tips

- Measure length of the Ceiling Panel and ensure the spacing (X) between the ceiling guide track is maintained during the installation process. See figure below.
- Space Support Brackets evenly along aisle for longer lengths of leveling kit (approximately every 4 feet).
- Secure Support Brackets to cabinets and then to the Ceiling Guide Track.
- Join multiple Ceiling Guide Tracks together using the joining strip attached to the Ceiling Guide Track.
- Place velcro on top of cabinets to secure Ceiling Guide Track to cabinet for areas where no leveling kit is required.

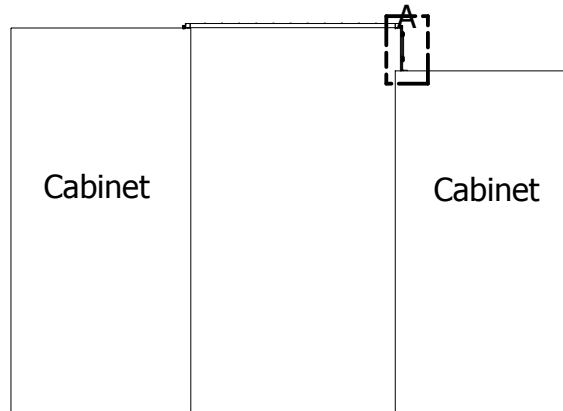


Spacing between Ceiling Guide Track (X)



Self Tap screw
into top of cabinet
or Velcro

Adjustable Support Bracket



Cabinet

Cabinet

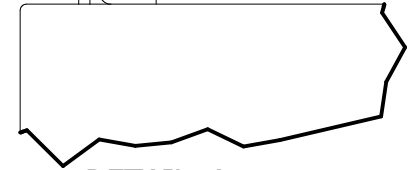
Ceiling Panels

Ceiling Guide Track

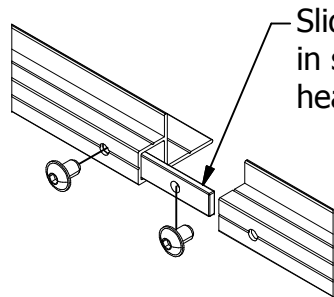
Place Velcro between Ceiling Panel and Track to secure Ceiling Panels in place.
(Note: a piece of Velcro on each corner of the Ceiling Panel is sufficient.)

Location of crimped Twinwall, from Factory
(Ensure correct end of Twinwall is inserted into the extrusion)

Twinwall

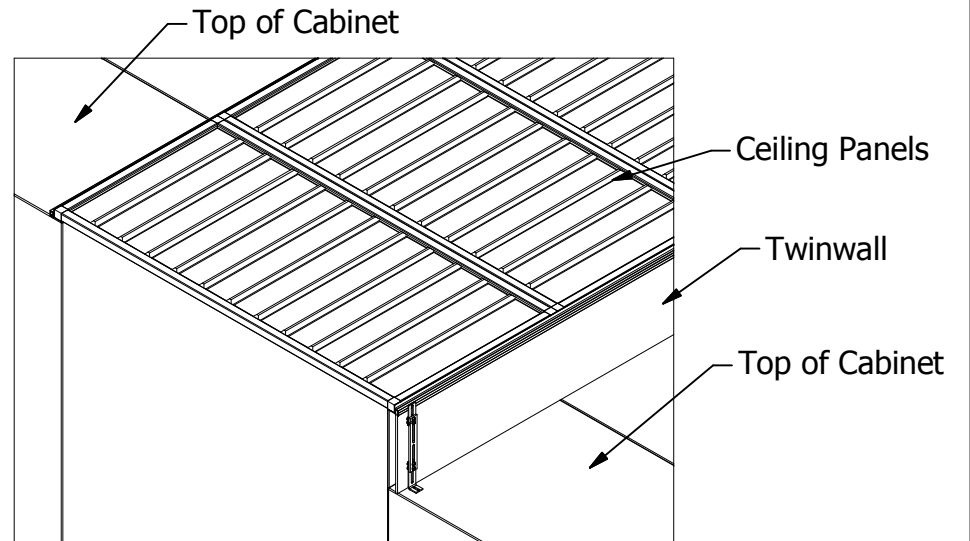


DETAIL A



Slide Ceiling Guide Track onto flat bar in slot and place 1/4-20 button head screw as shown

Ceiling Guide Track Splice



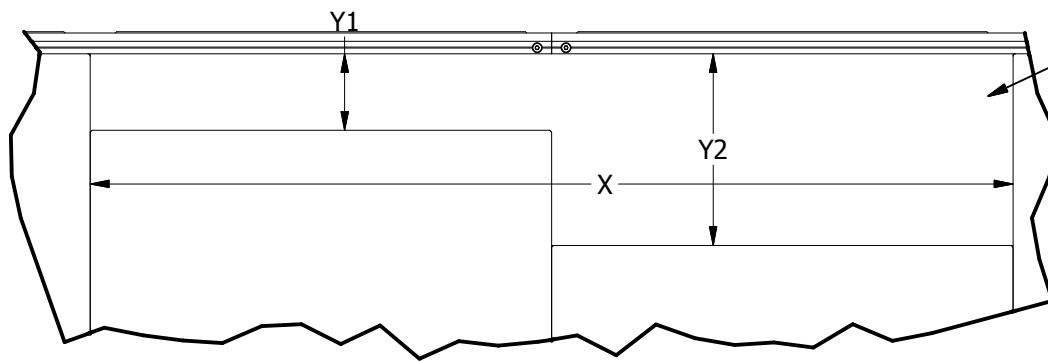
Top of Cabinet

Ceiling Panels

Twinwall

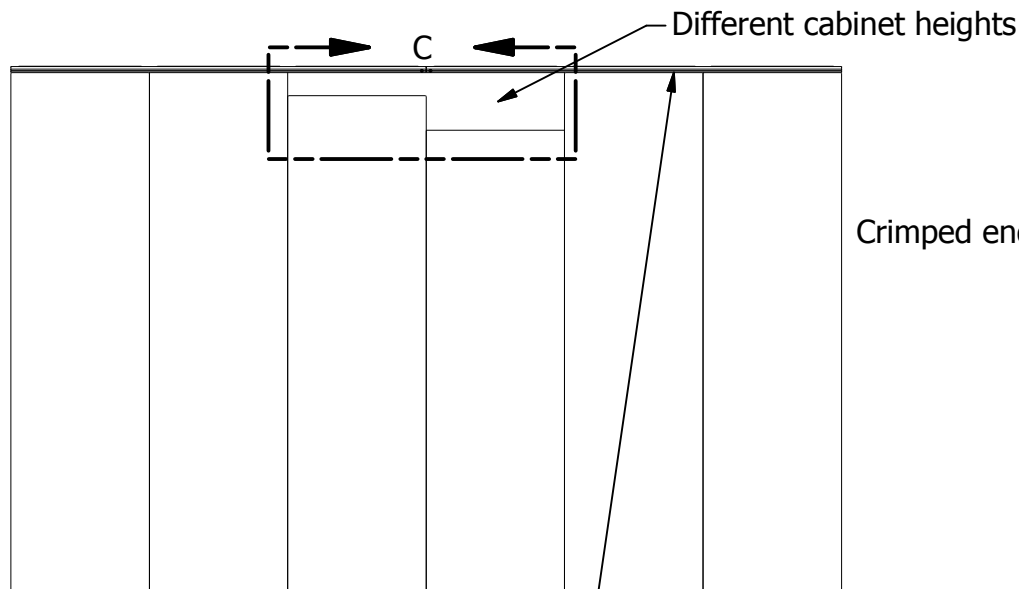
Top of Cabinet

Leveling Kit View



Measure heights (Y1 & Y2) and width (X) and cut twinwall to fit the opening.
 NOTE: Add $\frac{3}{8}$ " to height measurements (Y1 & Y2) to fit in slot of Ceiling Guide Track.

DETAIL C



Different cabinet heights

Crimped end of Twinwall

Twinwall

Ceiling Guide Track

Cabinet

NOTES:

1. When cutting twinwall, one edge will be crimped to fit into the Ceiling Guide Track. Cut the opposite end so that you will not need to crimp the end for it to fit into the Ceiling Guide Track.
2. One edge of the twinwall will need to be crimped to allow for the twinwall to be inserted into the Ceiling Guide Track. Pinch the edge of the twinwall using pliers to crimp that end.
3. If desired, place Velcro between the cabinets and aluminum extrusion. Also place Velcro between the adjustable support bracket and cabinets.
4. Place Velcro between the Ceiling Panels and the Ceiling Guide Track to provide the necessary support. A small piece of Velcro is permissible on the corners of the Ceiling Panels.

If desired, place Velcro between the Cabinet and the Leveling Kit to keep from drilling into the cabinets