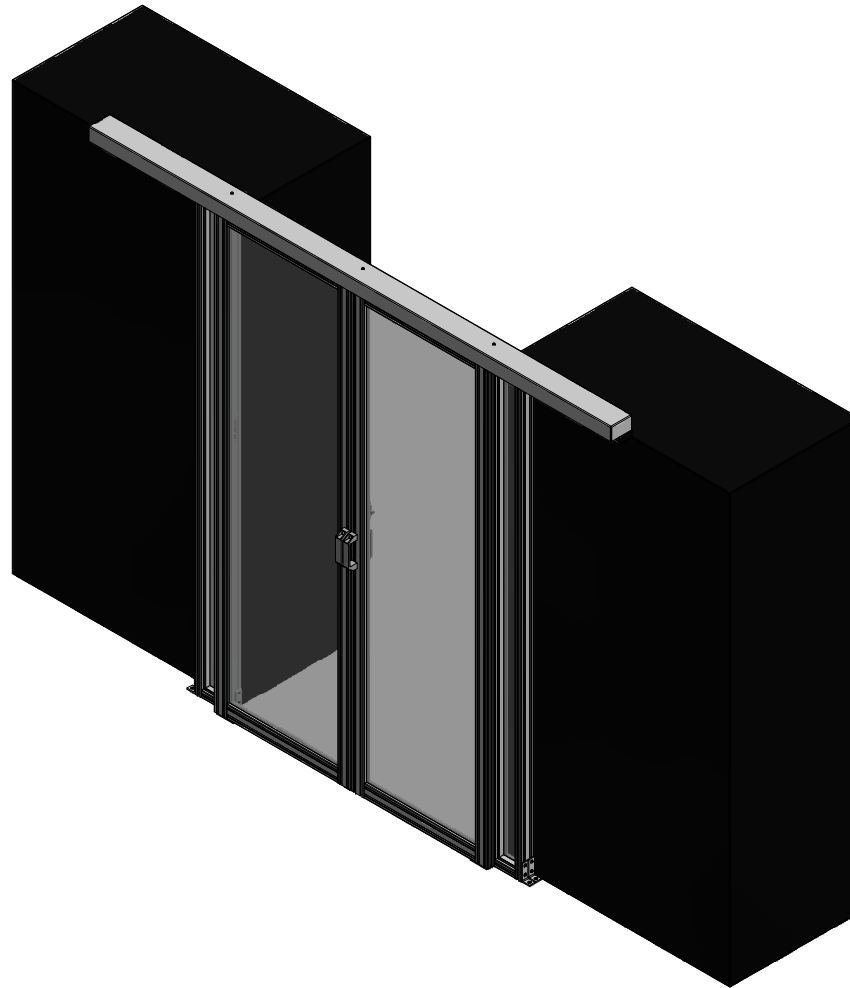
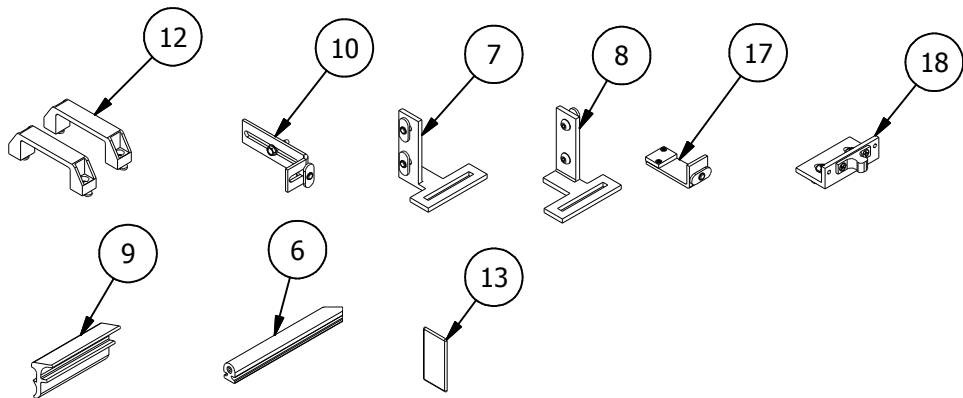


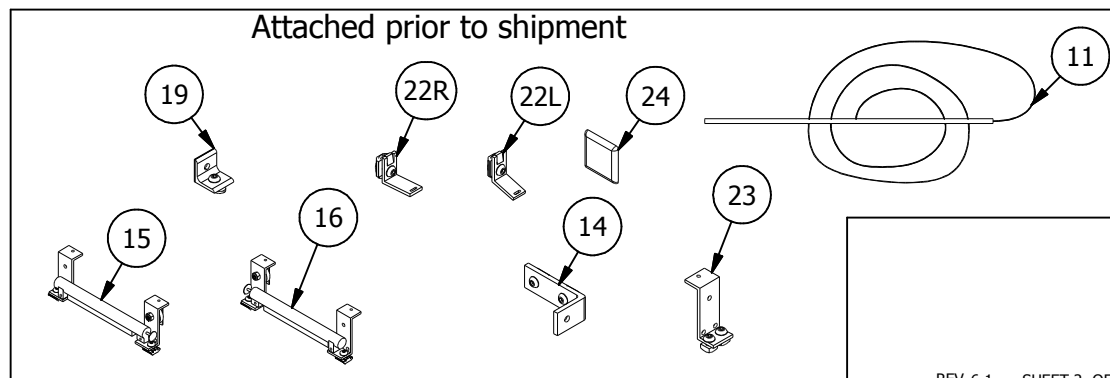
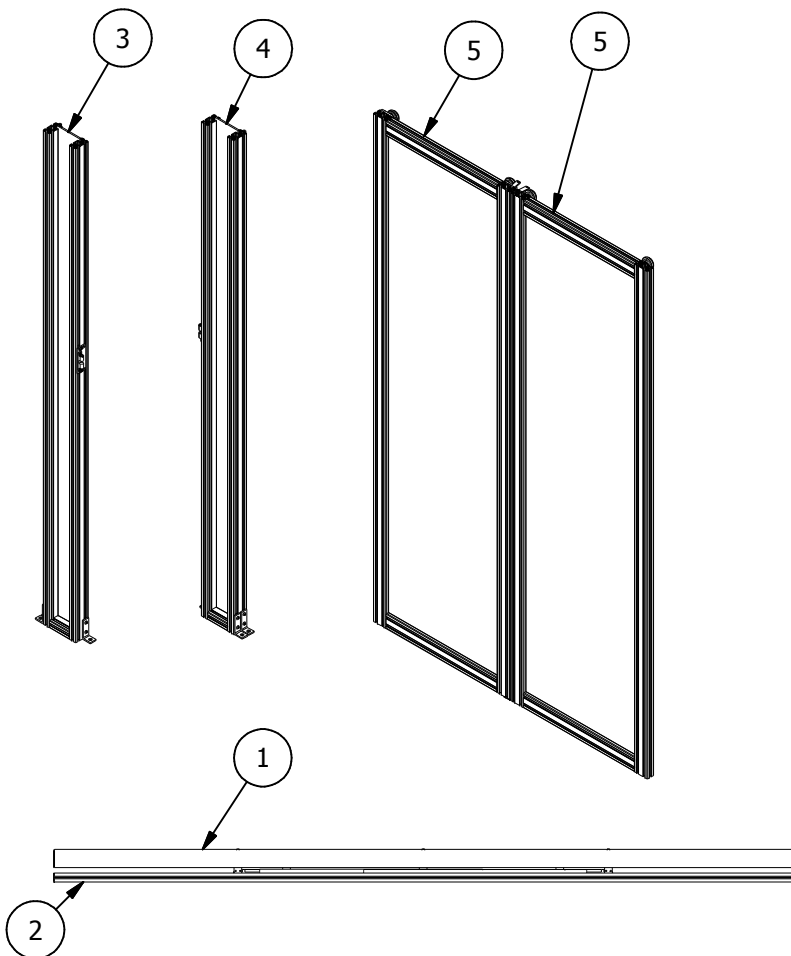
Double Sliding Door

Installation Manual





PARTS LIST		
ITEM	QTY	DESCRIPTION
1	1	Valence
2	1	Header
3	1	Left Side Panel
4	1	Right Side Panel
5	2	Doors (Left and Right)
6	3	Foam Bulb/Gasket
7	1	Left Slotted Door Guide
8	1	Right Slotted Door Guide
9	2	Rubber Gasket
10	2	Formed Mounting Bracket
11	2	Counter Weights (Attached to Header)
12	4	Door Handle
13	2	Rectangle End Cap
14	6	Floor Mount Bracket
15	1	Damper Assembly Left
16	1	Damper Assembly Right
17	2	End Stop Bracket
18	2	Ball Latch
19	2	Door Corner Bracket
20	6	#10x1-1/2" Pan Head Screw, not shown
21	6	#10-12 Plastic Anchor, not shown
22R	1	Right Door Cable Bracket (Longer)
22L	1	Left Door Cable Bracket (Shorter)
23	1	Center Bracket
24	1	Square End Cap



Safety & Handling

When unpacking the Double Sliding Doors and components, be careful not to scratch the aluminum frame and the Lexan. They have been carefully packaged and inspected before crating. Inspect all components and be sure all required hardware is included for assembly.

Use only the proper and recommended tools for all assembly procedures as well as installation of the doors in and around the cabinets.

Do not lean the door or parts against walls, cabinets or posts where there is a chance for them to fall and become damaged.

All movement and assembly requires two persons for safety and protection of the doors being installed and the equipment around them.

Tools List

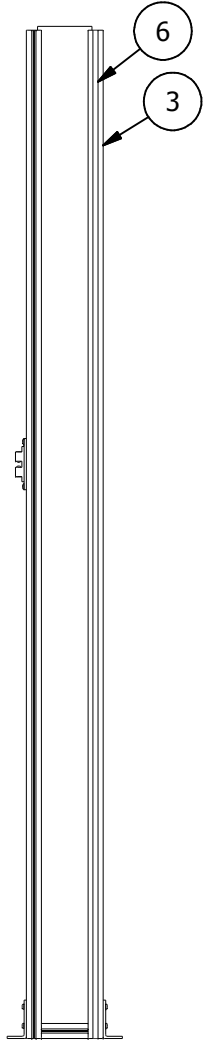
5/16" Hex Nut Driver Bit	Phillips Driver bit	Extension Cord	Hammer	Hacksaw
Rubber Mallet	Level	Tape Measure	3/16" T-Handle Hex Wrench	5/32" T-Handle Hex Wrench
Step Ladder	9/32" Drill Bit	1/4" Masonry Bit	Hammer Drill	Pencil or marker
String or Straight Edge				

General Installation and Tips and Tricks

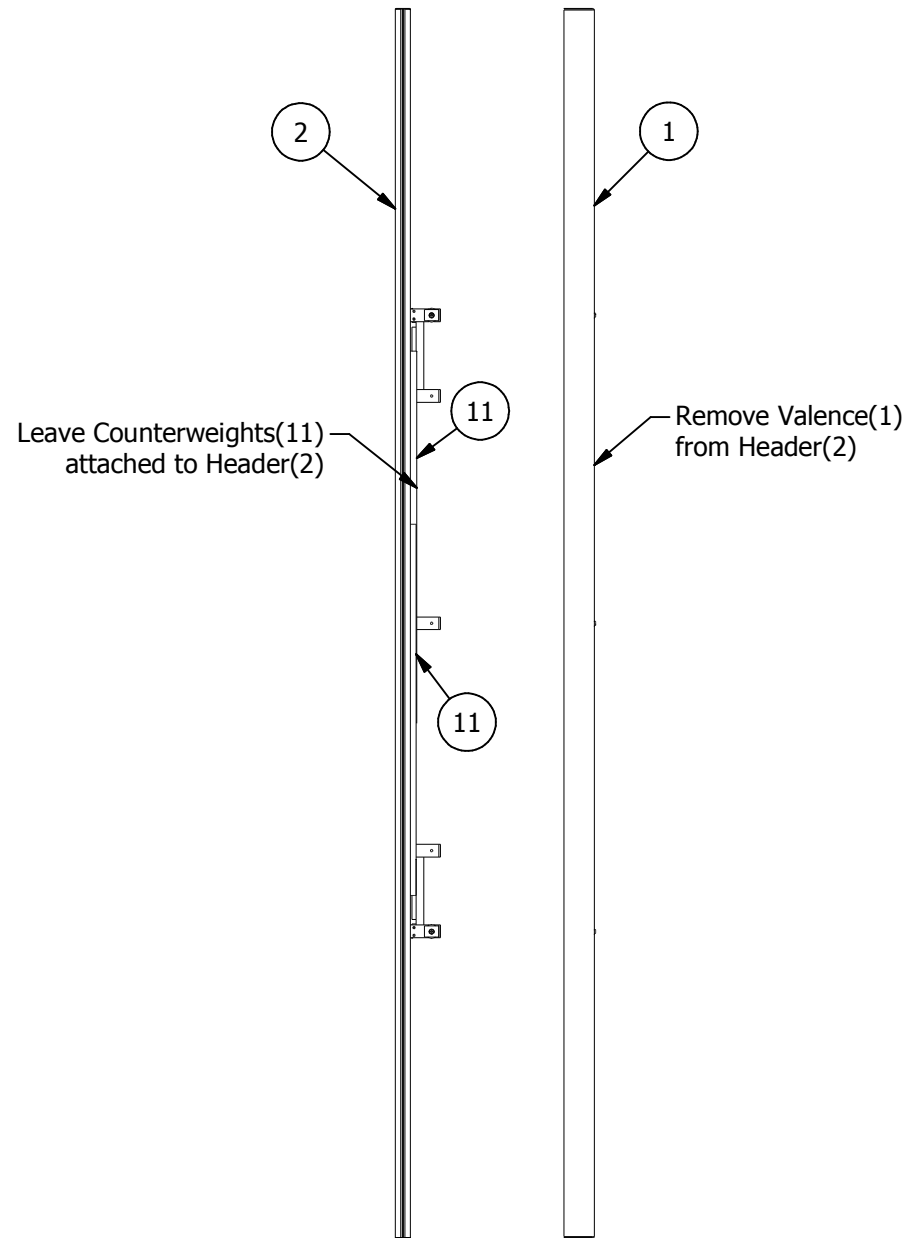
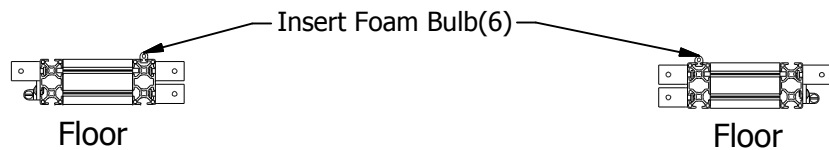
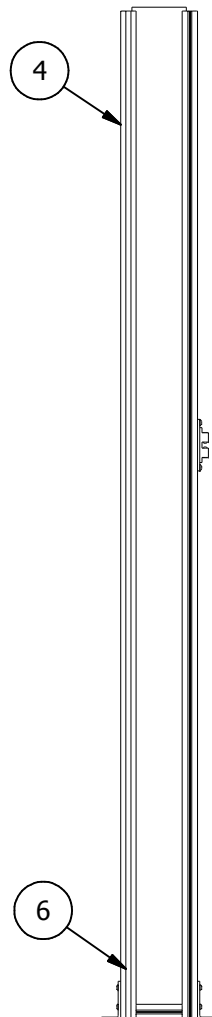
- Assemble the Door Frame by connecting the side panels to the header.
- Place the Door Frame into position and **verify the header is level** and the Door Frame is aligned and plumb. Mount the Side Panels to the floor.
- Verify the header is level and mount the header to the cabinet.
- Place the counterweights into position.
- Place the doors in position and operate. Ensuring the edge of the doors are aligned with the vertical post of the Side Panels.
- Place the Valence on the Header and secure.
- If the T-nut for mounting the hardware cannot be slid into the slot from the end, the T-nut can be inserted directly into the slot by placing a portion of the foam wrapping material in the slot as backing material and then placing the T-nut in front of the foam. This will provide backing for the T-nut and hold it in position while inserting the screw. Once the screw is threaded onto the T-nut, hold the foam material and slide the T-nut off the foam, then remove the foam out of the slot.

1. Remove the Valence(Item 1) from the Header(Item 2). Set the 3 screws in a secure location to be used to secure the Valence at the end of this Manual.
2. Do not remove the wrapping holding the Counterweights(11) to the Header(2) at this point.
3. With Side Panels(Item 3&4) facing down, insert Foam Bulb(6) into the slot of the outer post of each Side Panel(3&4); Caution-Foam Bulb will attract dirt, keep it clean.

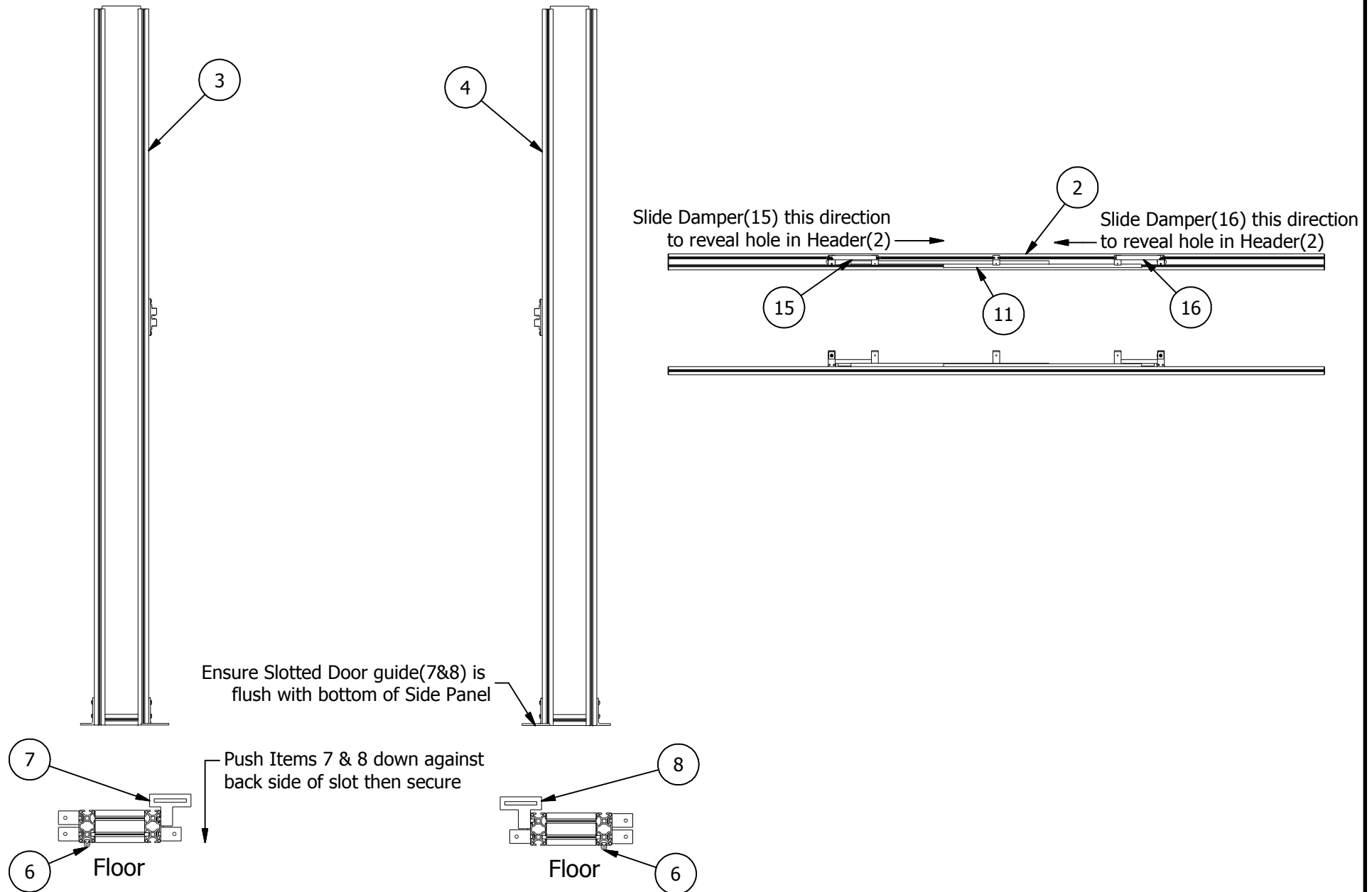
Left Side Panel



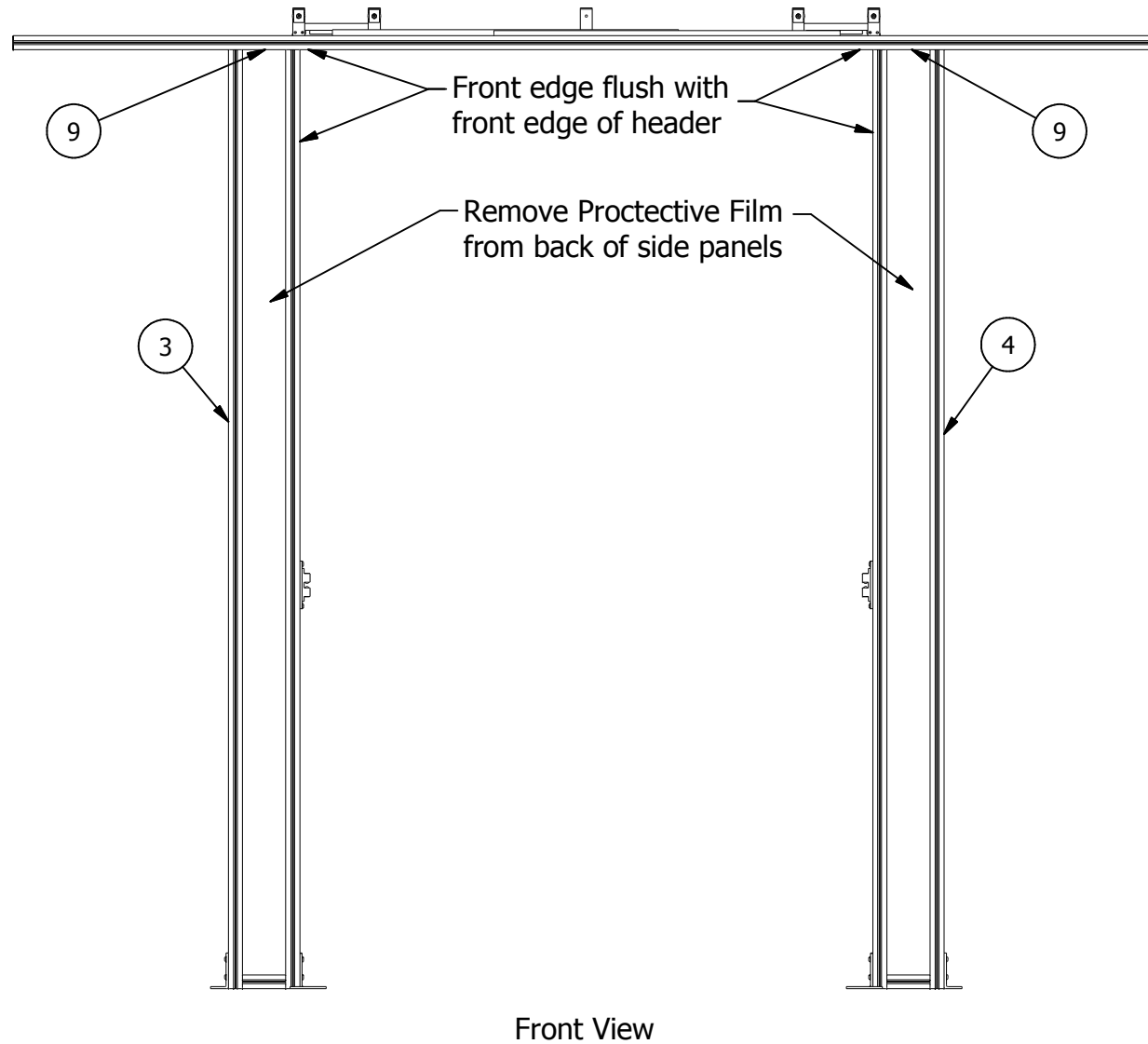
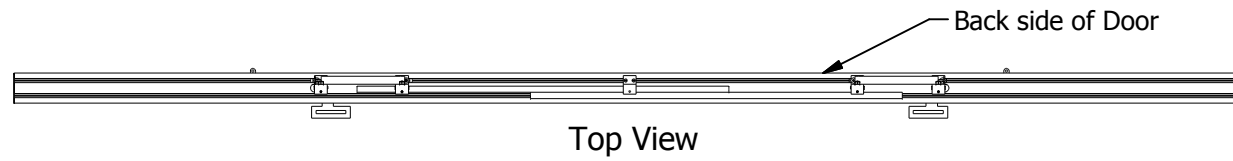
Right Side Panel



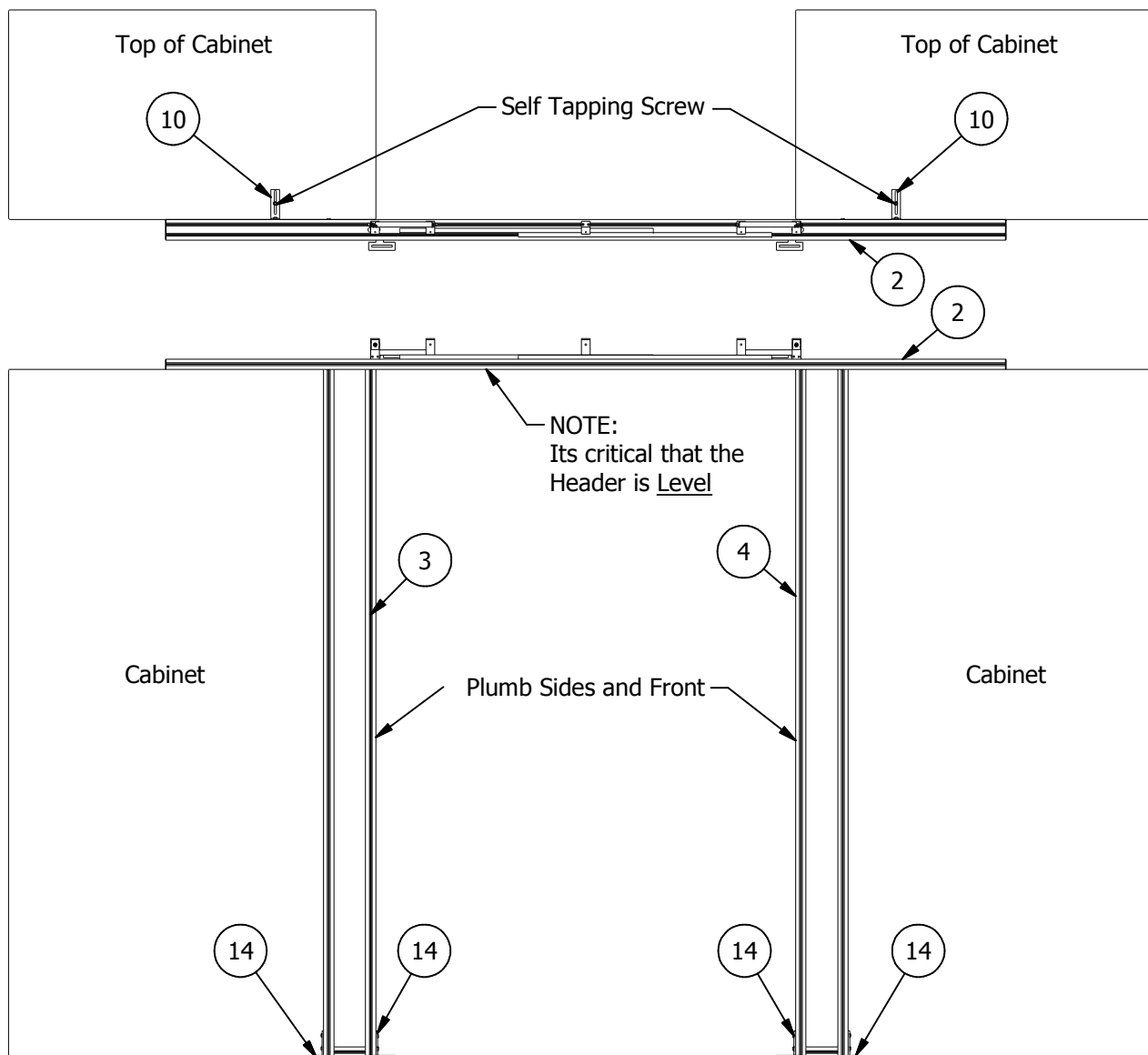
1. Flip Side Panel(3&4) so they are facing up with the Foam Bulb down and *place on a clean surface to keep Foam Bulb clean.*
2. Slide the Slotted Door Guide(7&8) into the inner side slot of the Side Panel(3&4). Push the Slotted Door Guide(7&8) down so the screws are against the back edge of the slot (final adjustments will occur later).
3. Loosen Damper Assembly(15&16) on Header(2) and slide them inward to reveal the hole; then lightly secure them in preparation for a future step.



1. Slide the Side Panels(3&4) onto the Header(2) and secure with $\frac{3}{16}$ " Allen Wrench (ensure the Side Panels(3&4) are flush with the Header(2)).
2. Insert Rubber Gasket(9) into the gap between Header(2) and Side Panel(3&4).
3. Remove protective film from the back side of Side Panels(3&4).

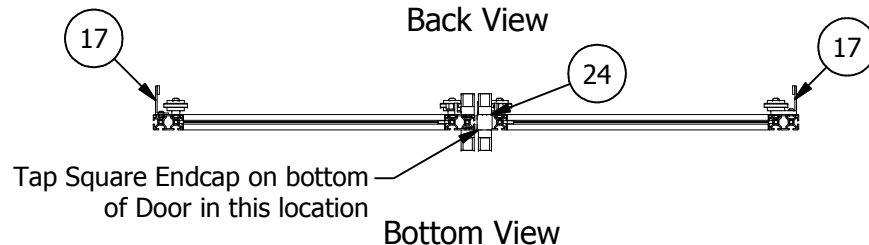
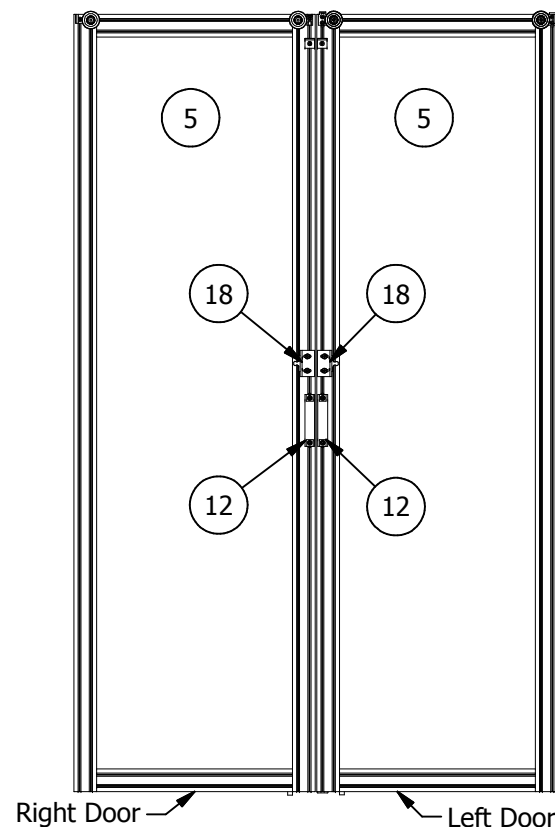
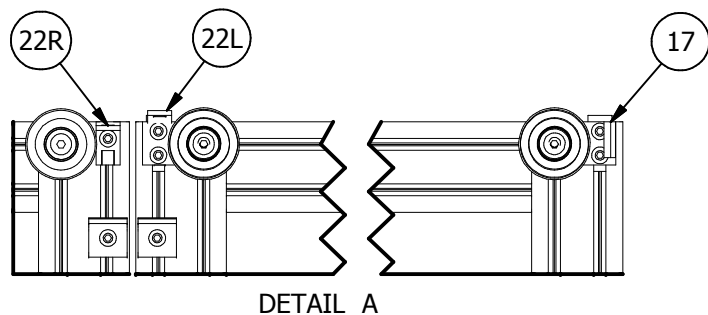
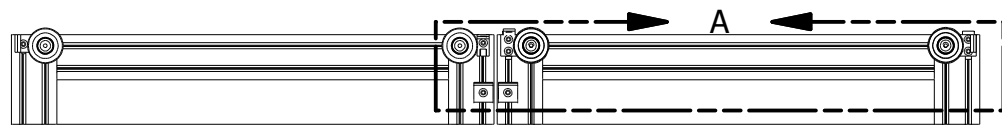
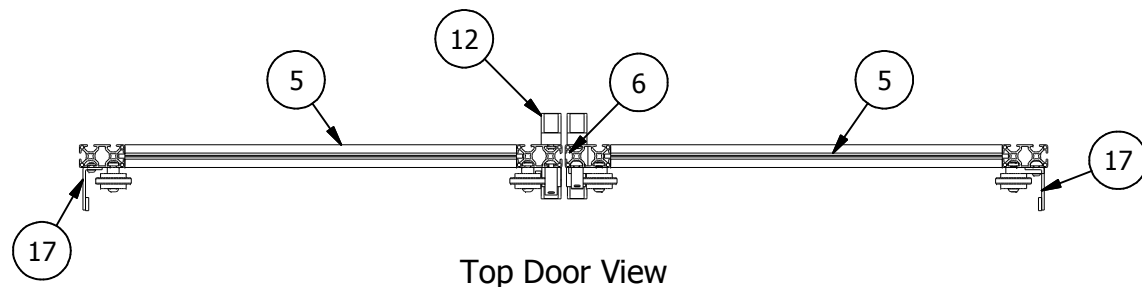


- Using two people set door frame in place and level the Header(2) by adjusting the Floor Mount Brackets(14) up/down.
Note: It is critical that the header is level for the door to operate properly.
- Secure the Header(2) to the cabinet in the approximate two locations using Formed Mounting Brackets(10) and associated self tapping screws.
- Plumb the Side Panels(3&4) and secure in place by adjusting the Floor Mount Bracket(14) and associated hardware (#10 x 1½" Pan Head Screws(20) and #10 Plastic Anchors(21)). *Note: Do not compress the Foam Bulb to tight against the cabinet. Otherwise the center of the frame could bow.*

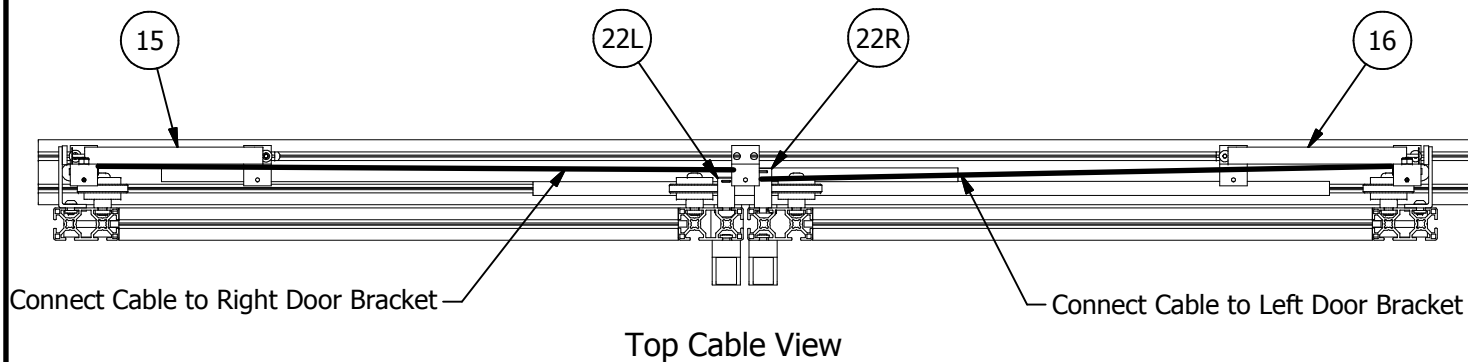
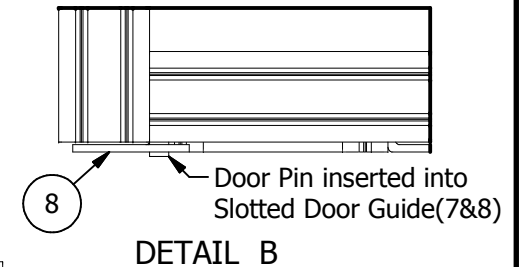
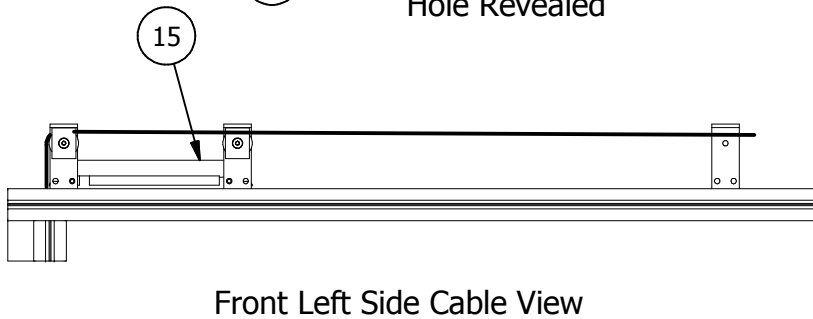
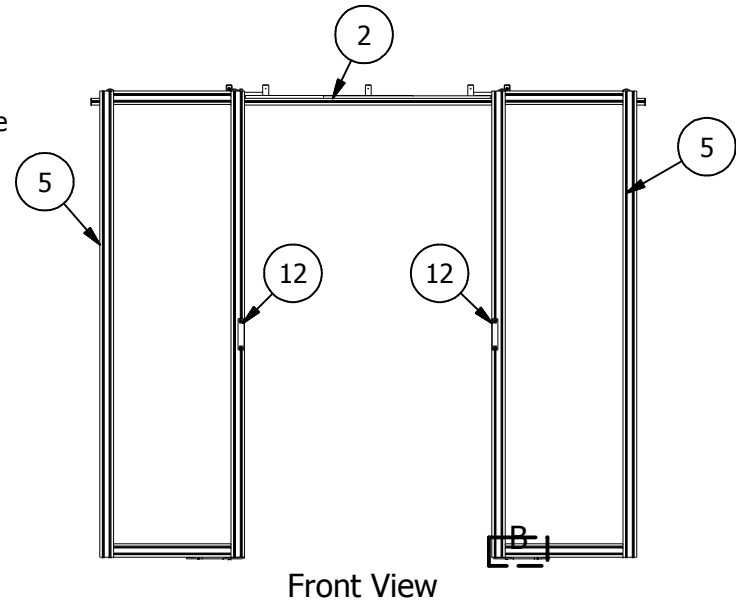
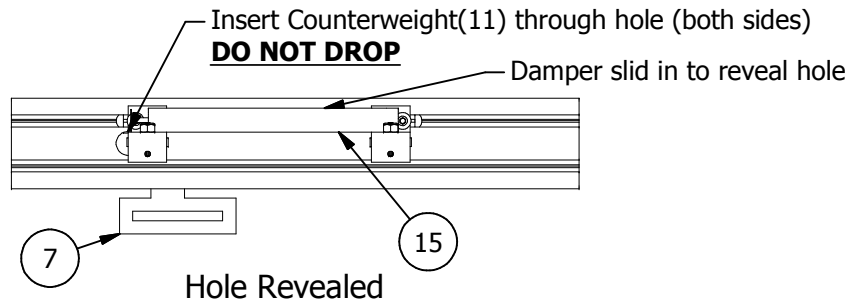


Front View

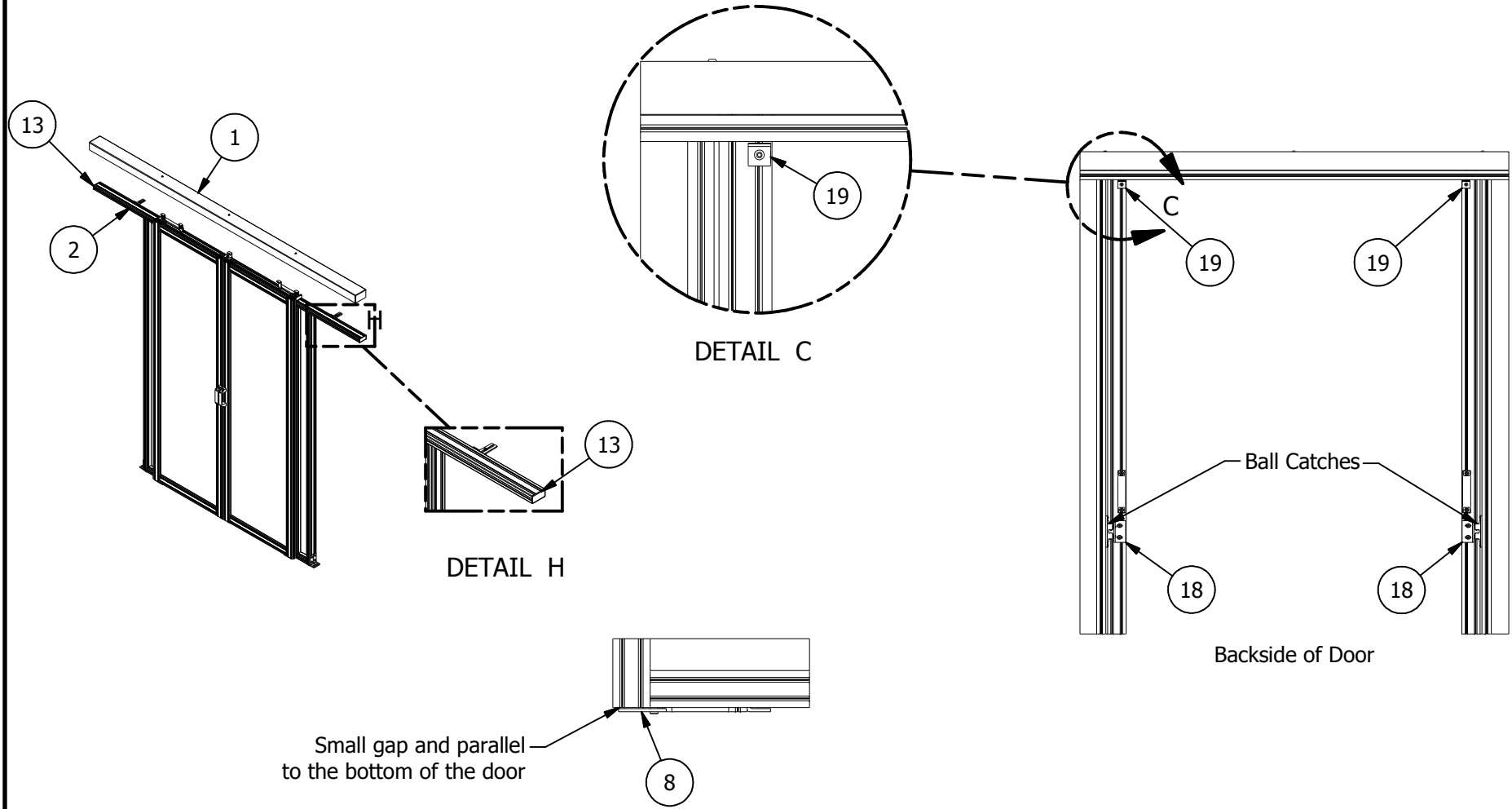
1. Insert the Door Handles(12) on the front of the Door(5) with associated Button Head Socket Cap Screws. Insert from the bottom in the outside slot of the Door(5) and then flip Door(5) over and lay the front of the door on the floor with the back up.
2. Insert Ball Latch(18) on the back side of Door(5) and then the Door Handles(12) with associated Button Head Socket Cap Screws and T-nuts. Insert from the bottom in the outside slot of the Door(5).
3. Insert the Foam Bulb(6) into the side slot of the Left Door(5), which is the slot with the Square Endcap(24). (See Top Door & Bottom Door View). If the Square Endcap is not already inserted, Tap the Square Black Endcap(24) onto the bottom of the door to hold the Foam Bulb(6) in place as shown in the Bottom View below.
4. Insert the End Stop Bracket(17) on the outside slot of each door and the Door Brackets(22R & 22L), if not already installed (Detail A). Ensure all bracket edges are flush with the top of the door.
5. Set each Door(5) on the outside of the Header(2) and ensure each Door(5) rolls freely. *NOTE: Counterweights(11) are still in place on the header blocking the doors so they will not close.*



1. Open door fully and slightly lift door up and insert the door pin located in the bottom of the door into the slot of the Slotted Door Guide(7&8) (Detail B).
2. The cable is already threaded on the pulley as shown in the Front Left Side Cable View below. Hook the cable onto the Door Bracket(22L or 22R) which is furthest from the pulley. (Ex. pulley on left side, hook the cable on the door bracket on the right door. The counterweight on the left side of the door, will pull the right door closed.).
3. Remove the wrapping around the Counterweight(11) wrapped on the Header(2). Do not remove the cable from the Damper Assembly.
4. Slowly insert the Counterweight(11) through the $\frac{1}{2}$ " hole in the top of the Header(2). *Caution: Do not drop the counterweight!*
5. Put the Damper Assembly(15 or 16) back into the position marked on the Header(2). The Valence lines up with the Damper Assembly, so ensure the Damper is properly aligned.
6. Repeat these steps for the other door.



1. Verify the operation of Doors(5). If the Door(5) does not close fast enough, evaluate and ensure the steps in this Install Manual have been completed and that the Header(2) is level.
2. Adjust the Door Bracket(19) on the backside of the Doors(5) up to the header so there is a $\frac{1}{16}$ " gap between the Door Brackets(19) and the Header(2) (see Detail C).
3. Adjust the Ball Latch(18) and Catch so they are just above the door handles and mated together to hold the door open (see Backside of Door View).
4. Adjust the Slotted Door Guides(7&8) both vertically to minimize the gap between the door and the frame and also horizontally to minimize the gap between the bottom of the door and the Slotted Door Guide(7&8) without the door rubbing.
5. Verify proper door operation and make adjustments as needed to minimize gaps and provide efficient door operation and containment.
6. Place Valence(1) on Header(2) and secure the two ends and middle with the 10-24 x 1/4" screws which were removed on the first step of this Manual.
NOTE: If the holes do not line up with the Valence Brackets, adjust the Damper Assemblies(15&16) to properly align with the holes in the Valence(1).
7. Place the rectangular Black Plastic Endcaps(13) on the ends of the headers.



Troubleshooting Guide

Symptom	Solution
Door Rubs on Frame	1. Adjust the Slotted Door Guide(7&8) out to create a bigger gap between the door and frame. The Frame is pressed to tightly against the cabinet causing the Foam Bulb to bow the frame.
Door does not stay open	1. Adjust the Ball Latch(18) and Catch and tighten to hold the door open.
Cable falls off door closing mechanism	1. Verify the Dampers(15&16) are correctly positioned and the Cable is coming up through the center of the hole in the Header(2). 2. Verify the Square Cable Retention Washer is on the outside of the Pulley on the Dampers(15&16) and the Shoulder Screw is secured tightley to the Valence Bracket.
Gap between the doors when they are closed	1. Adjust the gap between the doors by using a 3/16" Allen Wrench and loosening the wheels and then make adjustments. This is best performed with two people. One to hold the door in position and the other to loosen and tighten the wheels.
Doors are not closing or closing very slow	1. The Header is not level. Level the Header. Loosen the Floor Mount Brackets(14) and lift the Header up until Level. Tighten the Floor Mount Brackets(14) to the frame.
Doors do not close all the way once they hit the damper	1. Ensure the Damper(15 or 16) and the End Stop Bracket(17) are aligned when the door is in the closed position. 2. Ensure there is no resistance on the Slotted Door Guide(7 or 8) at the bottom of the door. 3. Ensure spacing between frame posts is the same at the bottom as at the top. 4. Verify that the cable crimp is not hitting/latching on the Door Bracket(22R &22L) causing the door not to close all of the way.

REVISION HISTORY

REV	DESCRIPTION	DATE	APPROVED
6.1	Updated for Valence changes and clarification of instructions. Added to Troubleshooting Guide Cable Crimp catching Door Brackets	7/19/2017	JRN