

Assembly Instructions for Vertical Finger Bracket Kit

It can be installed either on the inside or the outside of the cabinet. (See detail views)

Model number

- VFBK-51U-1 VFBK-51U-2
- VFBK-47U-1 VFBK-47U-2
- VFBK-44U-1 VFBK-44U-2
- VFBK-42U-1 VFBK-42U-2
- VFBK-24U-1 VFBK-24U-2

Hardware

Qty. (6), 1/4-20 x 3/4" Flat Head Phillips Screw

Qty. (6), 1/4-20 x 3/4" Hex Head Screw

Qty. (6), 1/4-20 Unistrut Nut w/ Spring

Tools

Screwdriver (Phillips)

3/8" Socket

Fingers Assembly Instructions:

STEP 1: INSERT WIRE FINGERS IN AT AN ANGLE



STEP 3: ALIGN WIRE FINGERS WITH HOOKS IN BRACKET



STEP 2: TURN WIRE FINGERS SO THEY ARE ALIGNED VERTICALLY ABOVE HOOKS

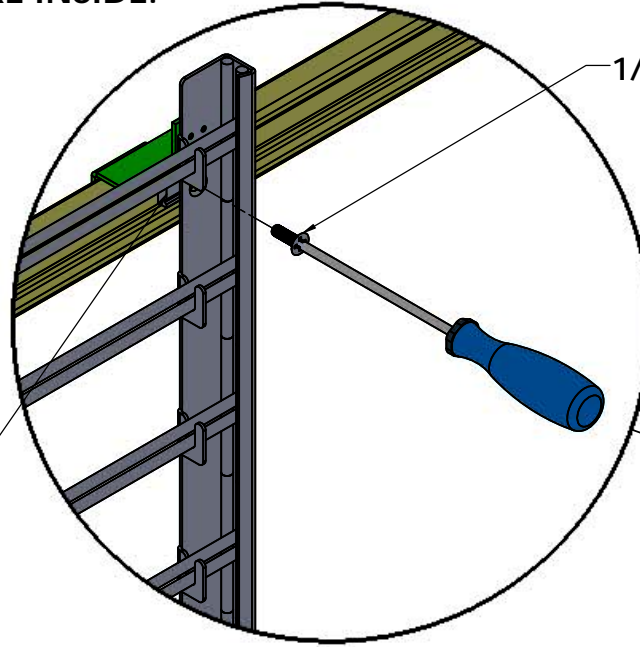


STEP 4: DROP FINGERS DOWN INTO SLOTS



SEE SHEET 2 FOR ALTERNATE MOUNTING FOR FINGERS ON INSIDE

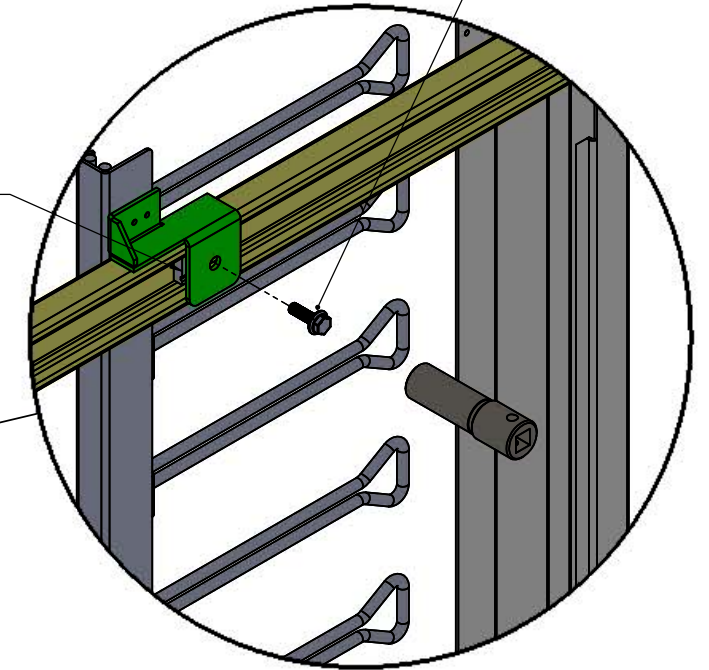
IF FINGERS ARE INSIDE:



1/4-20 x 3/4" Flat Head Screw

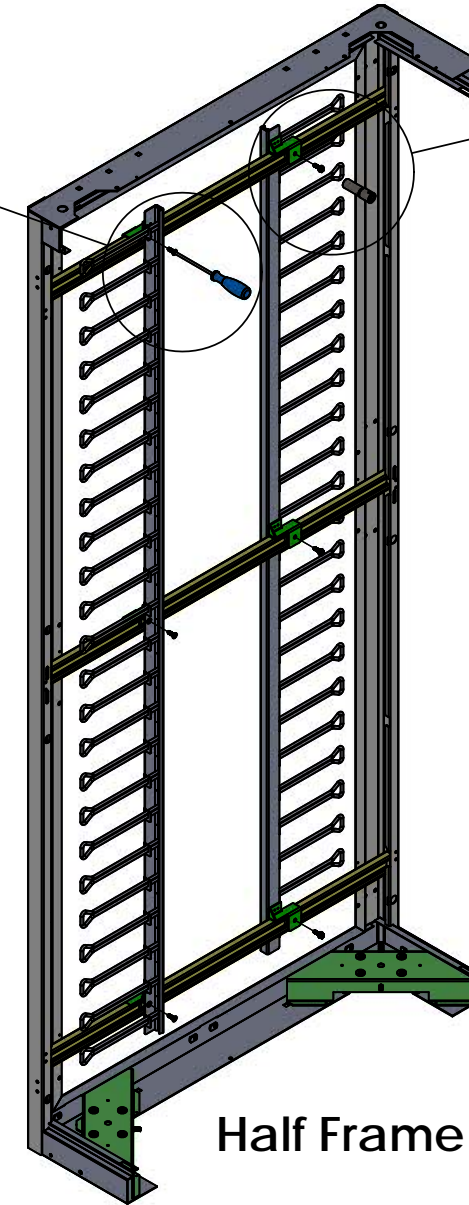
1/4-20 Unistrut Nut w/ Spring

IF FINGERS ARE OUTSIDE:



1/4-20 x 3/4" Hex Head Screw

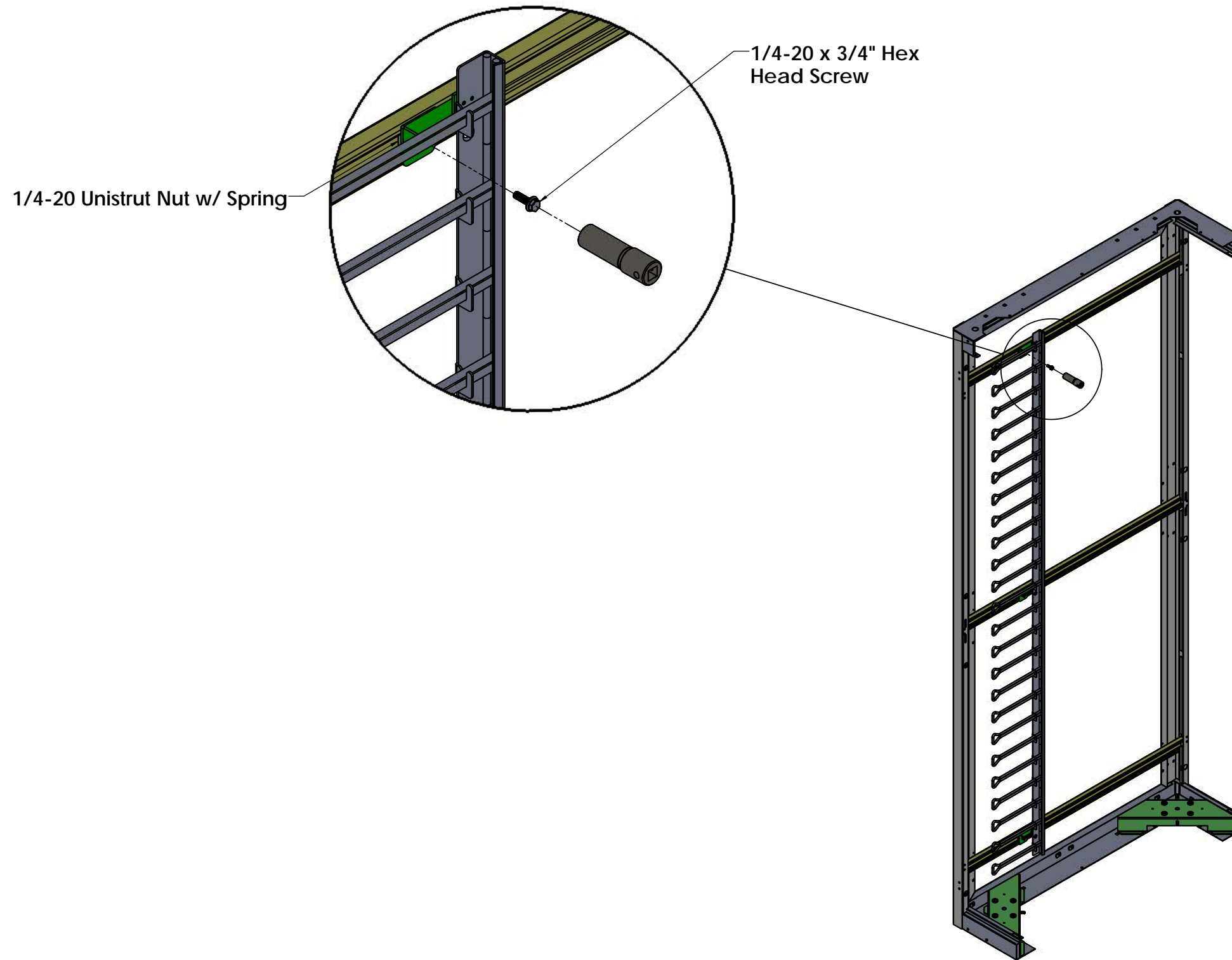
1/4-20 Unistrut Nut w/ Spring



Half Frame Shown For Clarity



IF FINGERS ARE INSIDE (ALTERNATE MOUNTING):



Half Frame Shown For Clarity



1 INNOVATION DRIVE - DES PLAINES, IL 60016