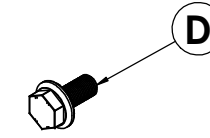
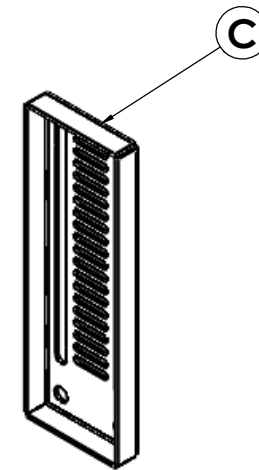
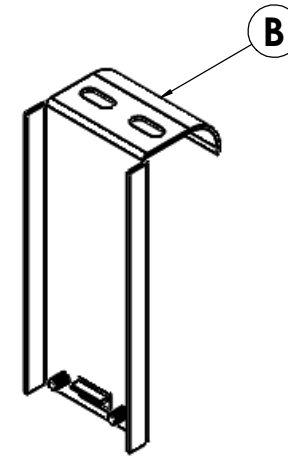
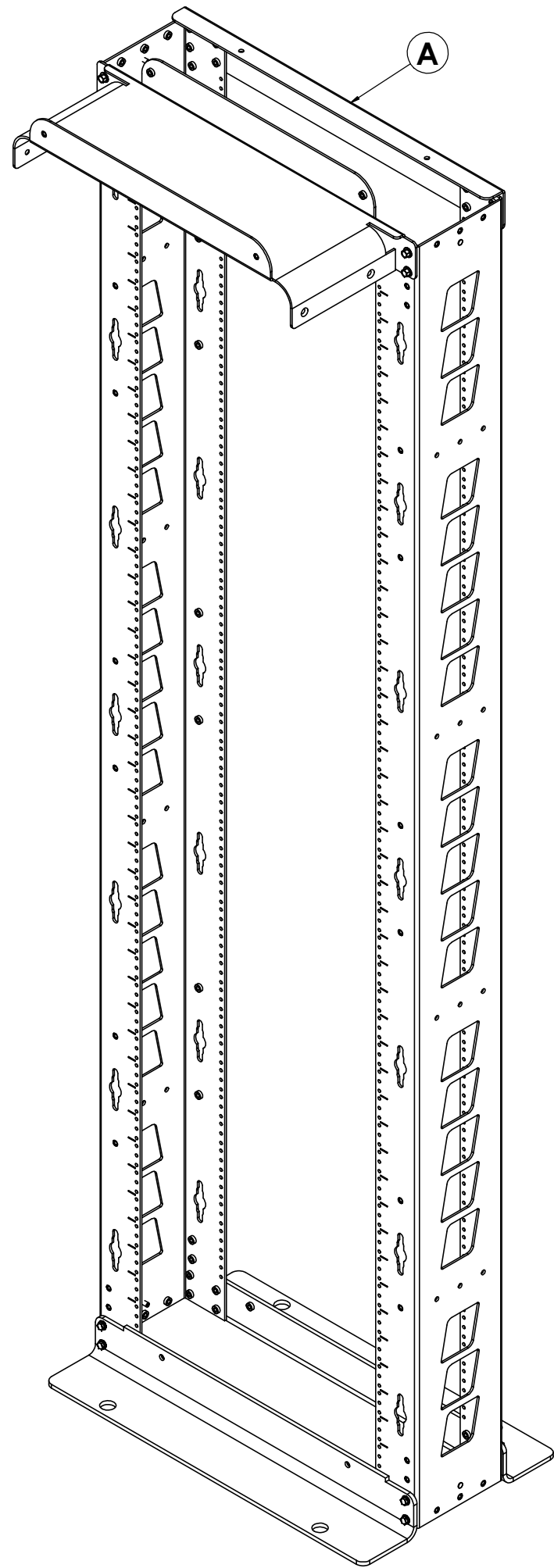
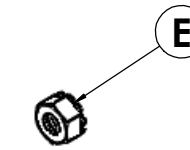


PARTS AND HARDWARE



1/4-20 X 1/2 L
HEX HEAD SCREW



1/4-20 X 7/16" W
KEPS NUT

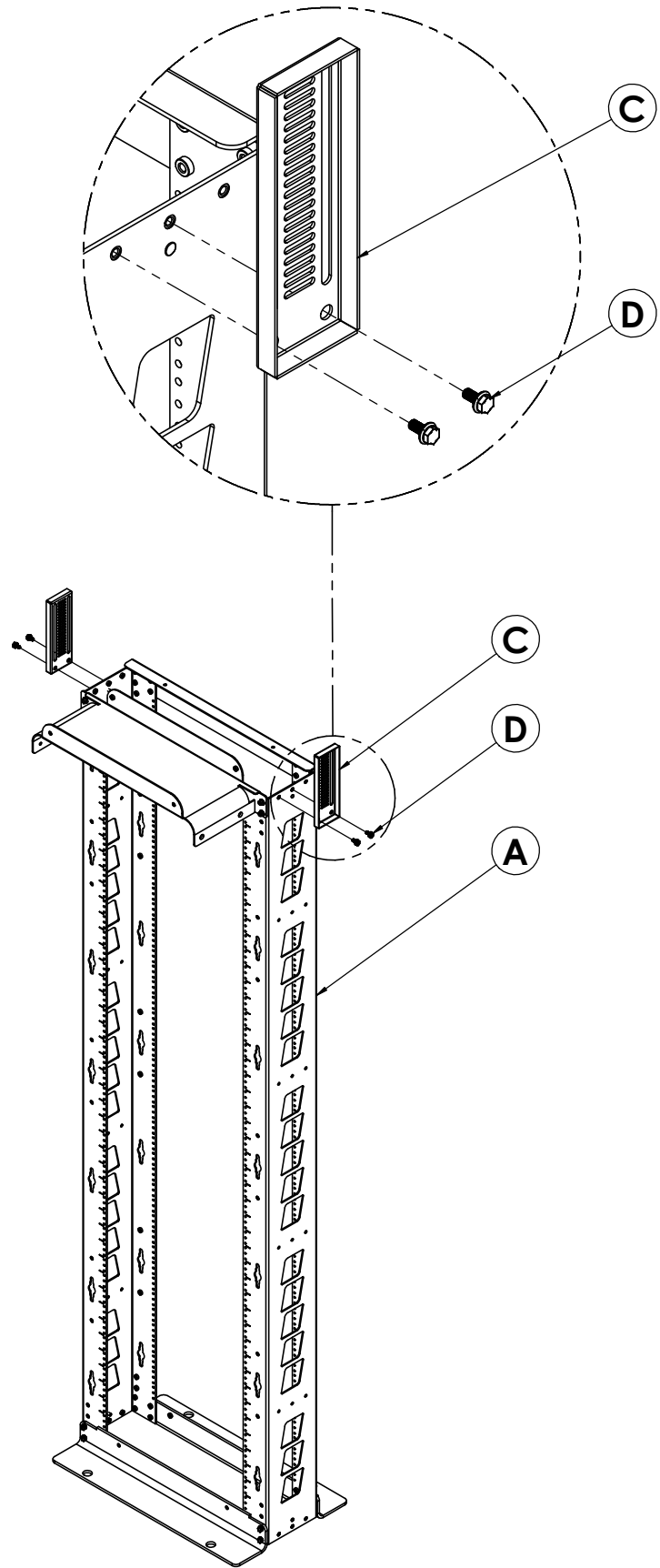
(RACK SOLD
SEPARATELY)

8/24/2015

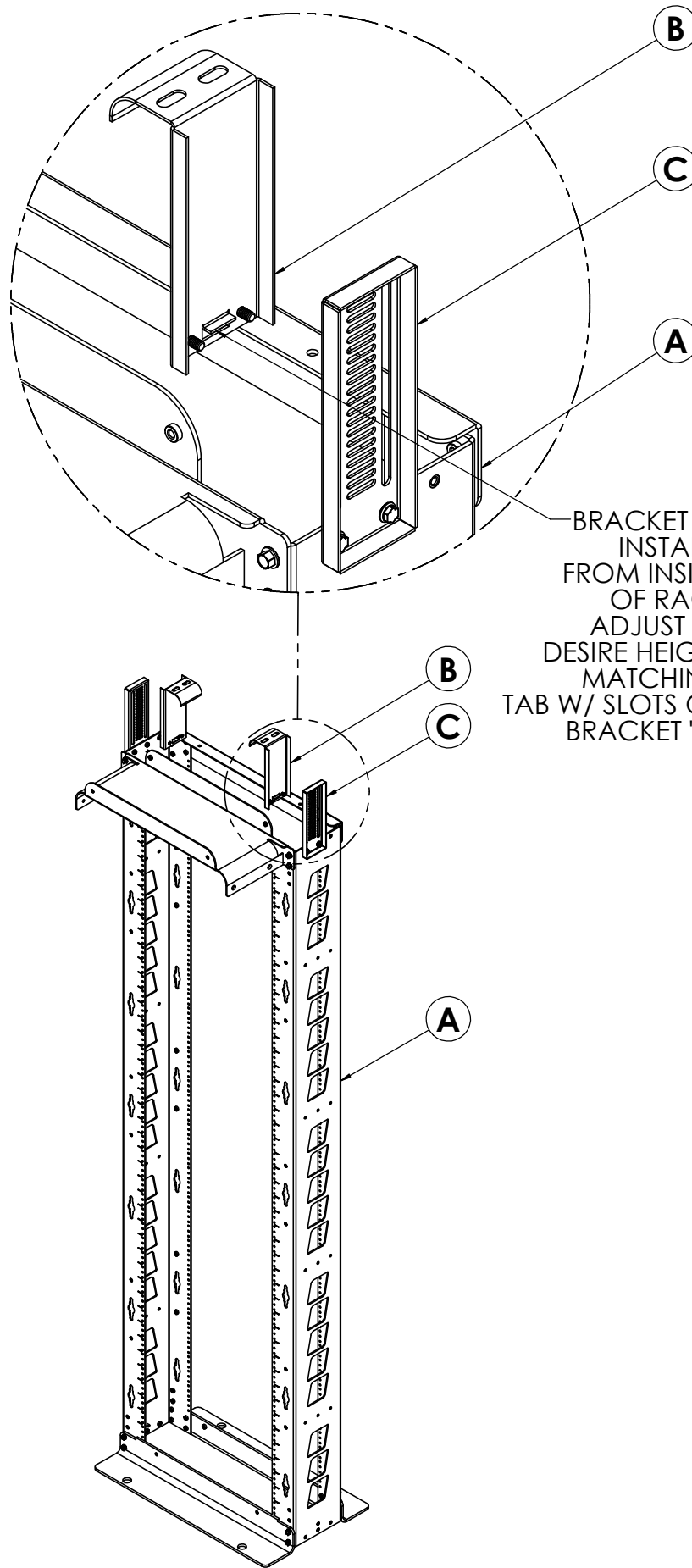


1 INNOVATION DRIVE - DES PLAINES, IL 60016

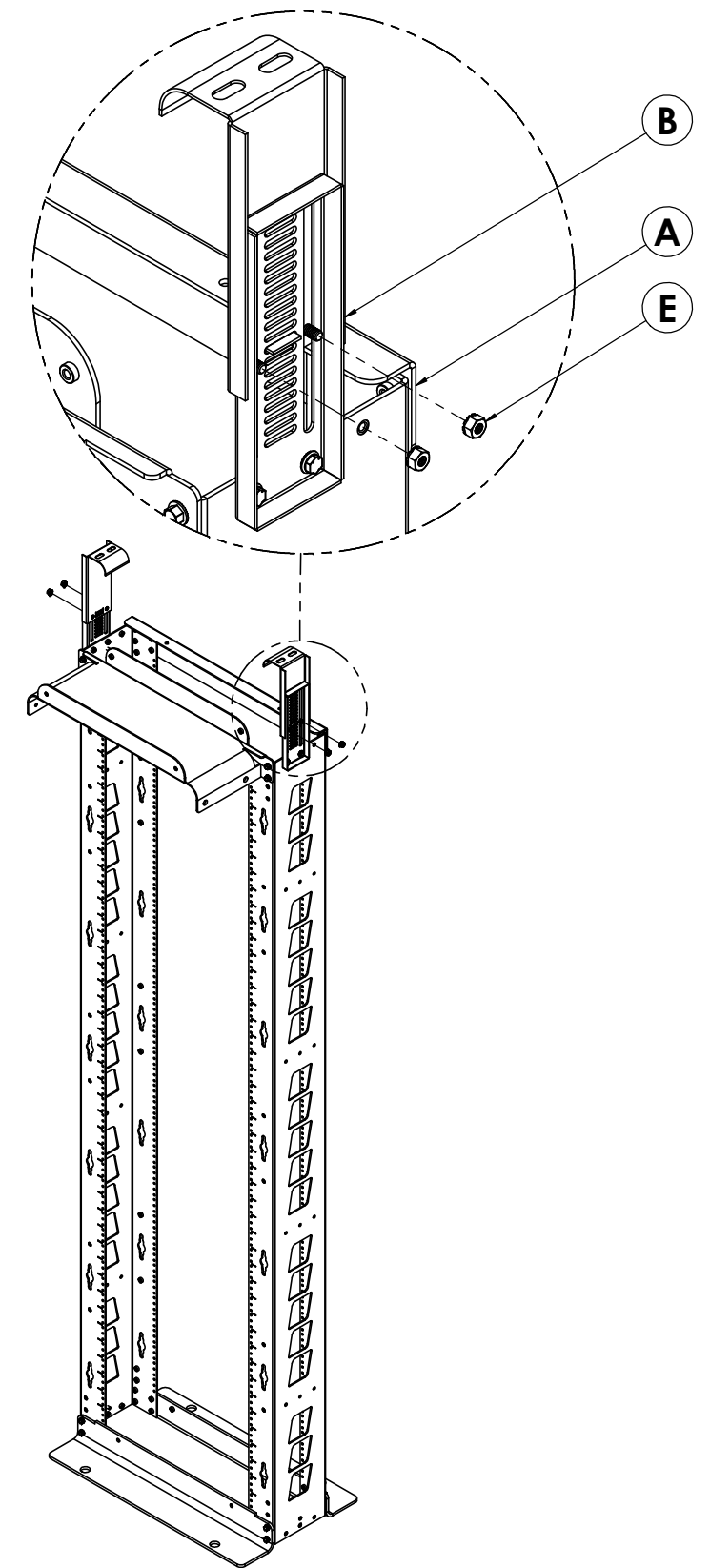
L:\Engineering\IMS Product Project\TCM\Work_Instructions\TCM-ULBINST



STEP 1



STEP 2



STEP 3



1 INNOVATION DRIVE - DES PLAINES, IL 60016